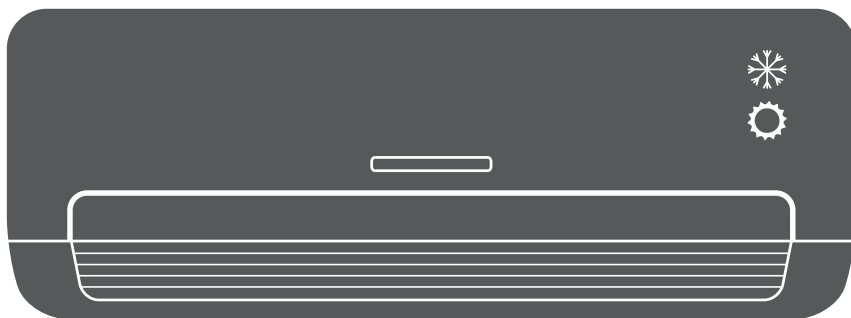




# AIR CONDITIONING SYSTEMS

## WALL MOUNTED UNIT

- **USER'S MANUAL**
- **ΕΓΧΕΙΡΙΔΙΟ ΧΡΗΣΗΣ**
- **MANUAL UTILIZATORULUI**
- **BENUTZERHANDBUCH**



### **MODELS:**

GR1VI32-12WF / GR1VO32-12  
GR1VI410-18WF / GR1VO410-18





# Table of Contents

## Owner's Manual

<b>1</b>	<b>Safety Precautions</b> .....	03
<b>2</b>	<b>Unit Specifications and Features</b> .....	05
	1. Indoor unit display .....	05
	2. Other features .....	06
	3. Normal Operating temperature .....	07
	4. Setting angle of airflow.....	08
<b>3</b>	<b>Manual operation(without remote)</b> .....	10
<b>4</b>	<b>Care and Maintenance</b> .....	12
<b>5</b>	<b>Troubleshooting</b> .....	10
<b>6</b>	<b>European Disposal Guidelines</b> .....	12

# Safety Precautions

1

## Read Safety Precautions Before Operation and Installation

**Incorrect installation due to ignoring instructions can cause serious damage or injury.** The seriousness of potential damage or injuries is classified as either a **WARNING** or **CAUTION**.



**WARNING**

**This symbol indicates that ignoring instructions may cause death or serious injury.**



**CAUTION**

**This symbol indicates that ignoring instructions may cause moderate injury to your person, or damage to your appliance or other property.**



**WARNING**

This appliance can be used by children aged from 8 years and above and persons with reduced physical, sensory or mental capabilities or lack of experience and knowledge if they have been given supervision or instruction concerning use of the appliance in a safe way and understand the hazards involved. Children shall not play with the appliance. Cleaning and user maintenance shall not be made by children without supervision(EN Standard requirements).

This appliance is not intended for use by persons(including children) with reduced physical, sensory or mental capabilities, or lack of experience and knowledge, unless they have been given supervision or instruction concerning use of the appliance by a person responsible for their safety. Children should be supervised to ensure that they do not play with the appliance(IEC Standard requirements).

## WARNINGS FOR PRODUCT USE

- If an abnormal situation arises (like a burning smell), immediately turn off the unit and disconnect the power. Call your dealer for instructions to avoid electric shock, fire or injury.
- **Do not** insert fingers, rods or other objects into the air inlet or outlet. This may cause injury, since the fan may be rotating at high speeds.
- **Do not** use flammable sprays such as hair spray, lacquer or paint near the unit. This may cause fire or combustion.
- **Do not** operate the air conditioner in places near or around combustible gases. Emitted gas may collect around the unit and cause explosion.
- **Do not** operate your air conditioner in a wet room such as a bathroom or laundry room. Too much exposure to water can cause electrical components to short circuit.
- **Do not** expose your body directly to cool air for a prolonged period of time.
- **Do not** allow children to play with the air conditioner. Children must be supervised around the unit at all times.
- If the air conditioner is used together with burners or other heating devices, thoroughly ventilate the room to avoid oxygen deficiency.
- In certain functional environments, such as kitchens, server rooms, etc., the use of specially designed air-conditioning units is highly recommended.

## CLEANING AND MAINTENANCE WARNINGS

- Turn off the device and disconnect the power before cleaning. Failure to do so can cause electrical shock.
- **Do not** clean the air conditioner with excessive amounts of water.
- **Do not** clean the air conditioner with combustible cleaning agents. Combustible cleaning agents can cause fire or deformation.

## CAUTION

- Turn off the air conditioner and disconnect the power if you are not going to use it for a long time.
- Turn off and unplug the unit during storms.
- Make sure that water condensation can drain unhindered from the unit.
- **Do not** operate the air conditioner with wet hands. This may cause electric shock.
- **Do not** use device for any other purpose than its intended use.
- **Do not** climb onto or place objects on top of the outdoor unit.
- **Do not** allow the air conditioner to operate for long periods of time with doors or windows open, or if the humidity is very high.
- How to install the appliance to its support, please refer to the "INSTALLATION MANUAL" for details in "indoor unit installation" and "outdoor unit installation" sections.

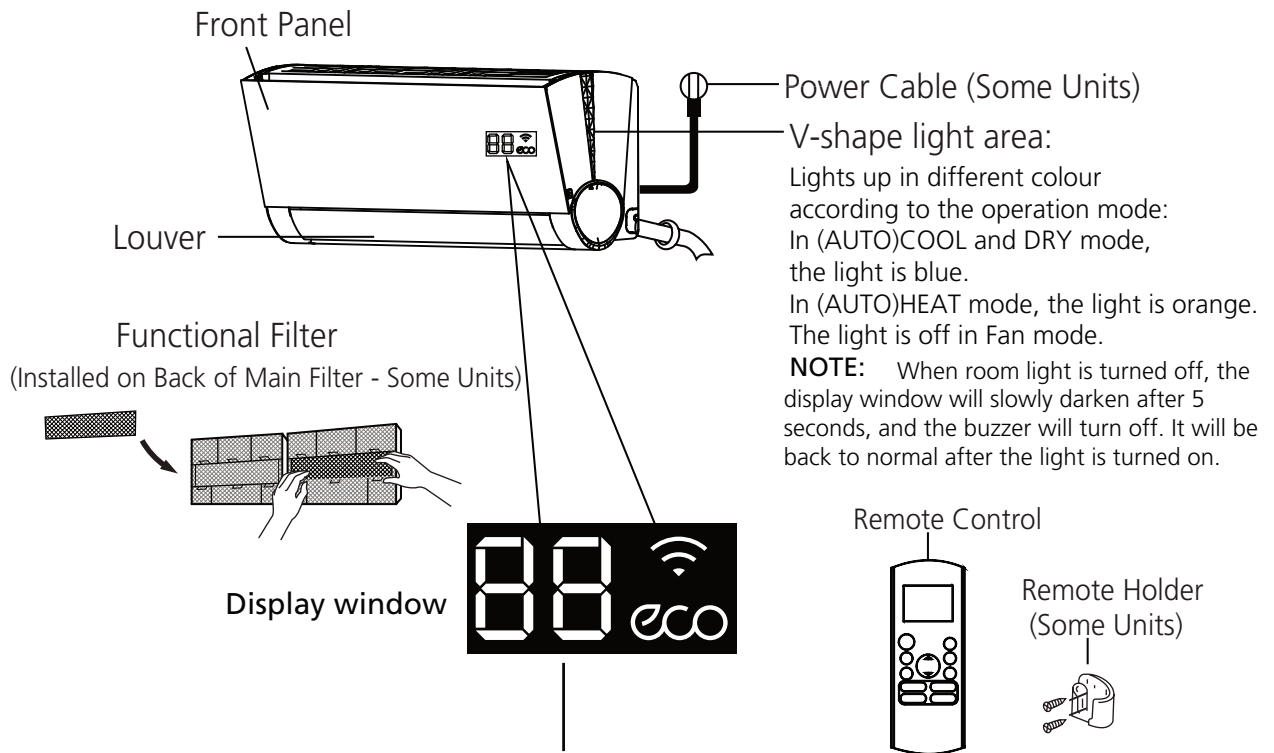
## Note about Fluorinated Gasses

1. This air-conditioning unit contains fluorinated greenhouse gasses. For specific information on the type of gas and the amount, please refer to the relevant label on the unit itself or the "Owner's Manual - Product Fiche " in the packaging of the outdoor unit. (European Union products only).
2. Installation, service, maintenance and repair of this unit must be performed by a certified technician.
3. Product uninstallation and recycling must be performed by a certified technician.
4. For equipment that contains fluorinated greenhouse gases in quantities of 5 tonnes of CO<sub>2</sub> equivalent or more, but of less than 50 tonnes of CO<sub>2</sub> equivalent, If the system has a leak-detection system installed, it must be checked for leaks at least every 24 months.
5. When the unit is checked for leaks, proper record-keeping of all checks is strongly recommended.

# Unit Specifications and Features

# 2

## Unit Parts



" **00** " Displays temperature, operation feature and Error codes:

" **01** " for 3 seconds when:

- TIMER ON is set
- FRESH, SWING, TURBO, or SILENCE features are turned on

" **0F** " for 3 seconds when:

- TIMER OFF is set
- FRESH, SWING, TURBO, or SILENCE features are turned off

" **cF** " when anti-cold air feature is turned on(some units)

" **dF** " when defrosting(Cooling & heating units only)

" **SC** " when unit is self-cleaning(some units)

" **FP** " when 8°C heating feature is turned on(some units)

" **Wi** " when Wireless Control feature is activated(some units)

" **eco** " when ECO function is activated(some units)

### Display Code Meanings

**NOTE:** Different models have different front panel and display window. Not all the indicators describing below are available for the air conditioner you purchased. Please check the indoor display window of the unit you purchased.

Illustrations in this manual are for explanatory purposes. The actual shape of your indoor unit may be slightly different. The actual shape shall prevail.

A guide on using the infrared remote is not included in this literature package. Not all the functions are available for the air conditioner, please check the indoor display and remote control of the unit you purchased.

## Other Features

- **Auto-Restart**

If the unit loses power, it will automatically restart with the prior settings once power has been restored.

- **Anti-mildew (not available)**

When turning off the unit from COOL, AUTO (COOL), or DRY modes, the air conditioner will continue operate at very low power to dry up condensed water and prevent mildew growth.

- **Wireless Control**

Wireless control allows you to control your air conditioner using your mobile phone and a wireless connection.

For the USB device access, replacement, maintenance operations must be carried out by professional staff.

- **Louver Angle Memory**

When turning on your unit, the louver will automatically resume its former angle.

- **Refrigerant Leakage Detection**

The indoor unit will automatically display "EC" or "ELOC" when it detects refrigerant leakage.

- **Intelligent Light Detection**

When room light is turned off, the display window and V-shape light area will slowly darken after 5 seconds, and the buzzer turn off. It will be back to normal after the light is turned on.

**NOTE:** When room light is bright, the display window and V-shape area remains on. When the room light is dark, you can press the LED button on the remote controller to turn on/off the display window.

- **Smart Air Manager**

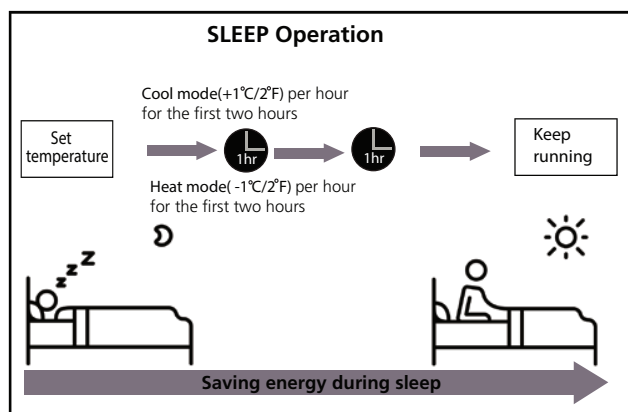
When the unit is under COOL or AUTO mode, press the SWING button on the remote controller ,it will blow out very comfortable & quiet wind, which brings you feeling of nature.

- **Sleep Operation**

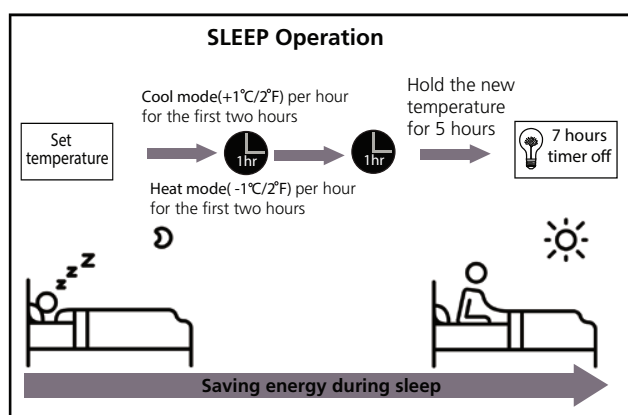
The SLEEP function is used to decrease energy use while you sleep (and don't need the same temperature settings to stay comfortable). This function can only be activated via remote control. And the Sleep function is not available in FAN or DRY mode.

Press the **SLEEP** button when you are ready to go to sleep. When in COOL mode, the unit will increase the temperature by 1°C (2°F) after 1 hour, and will increase an additional 1°C (2°F) after another hour. When in HEAT mode, the unit will decrease the temperature by 1°C (2°F) after 1 hour, and will decrease an additional 1°C (2°F) after another hour.

For some units, the sleep feature will stop after 8 hours and the system will keep running with final situation.



For some units, the unit will turn off after 7 hours.



## Normal Operating temperature

When your air conditioner is used outside of the following temperature ranges, certain safety protection features will activate and cause the unit to disable.

### Inverter Split Type

	COOL mode	HEAT mode	DRY mode
Room Temperature	17°C - 32°C (63°F - 90°F)	0°C - 30°C (32°F - 86°F)	10°C - 32°C (50°F - 90°F)
Outdoor Temperature	0°C - 50°C (32°F - 122°F)	-15°C - 24°C (5°F - 75°F)	0°C - 50°C (32°F - 122°F)
	-15°C - 50°C (5°F - 122°F) (For models with low temp. cooling systems.)		
	0°C - 52°C (32°F - 126°F) (For special tropical models)		0°C - 52°C (32°F - 126°F) (For special tropical models)

#### FOR OUTDOOR UNITS WITH AUXILIARY ELECTRIC HEATER

When outside temperature is below 0°C (32°F), we strongly recommend keeping the unit plugged in at all time to ensure smooth ongoing performance.

### Fixed-speed Type

	COOL mode	HEAT mode	DRY mode
Room Temperature	17°C-32°C (63°F-90°F)	0°C-30°C (32°F-86°F)	10°C-32°C (50°F-90°F)
Outdoor Temperature	18°C-43°C (64°F-109°F)	-7°C-24°C (19°F-75°F)	11°C-43°C (52°F-109°F)
	-7°C-43°C (19°F-109°F) (For models with low-temp cooling systems)		18°C-43°C (64°F-109°F)
	18°C-52°C (64°F-126°F) (For special tropical models)		18°C-52°C (64°F-126°F) (For special tropical models)

**NOTE:** Room relative humidity less than 80%. If the air conditioner operates in excess of this figure, the surface of the air conditioner may attract condensation. Please sets the vertical air flow louver to its maximum angle (vertically to the floor), and set HIGH fan mode.

#### To further optimize the performance of your unit, do the following:

- Keep doors and windows closed.
- Limit energy usage by using TIMER ON and TIMER OFF functions.
- Do not block air inlets or outlets.
- Regularly inspect and clean air filters.

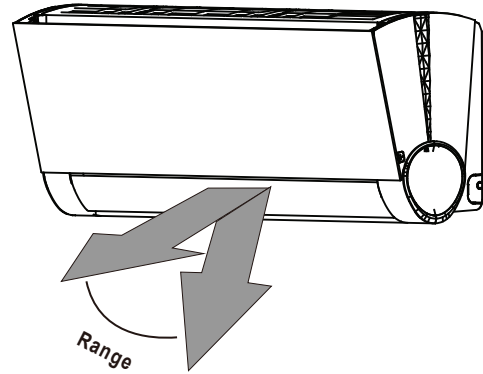


## • Setting Angle of Air Flow

### Setting horizontal angle of air flow

The horizontal angle of the airflow must be set manually. Grip the deflector rod (See **Fig.B**) and manually adjust it to your preferred direction.

**For some units,** the horizontal angle of the airflow can be set by remote control. please refer to the Remote Control Manual.



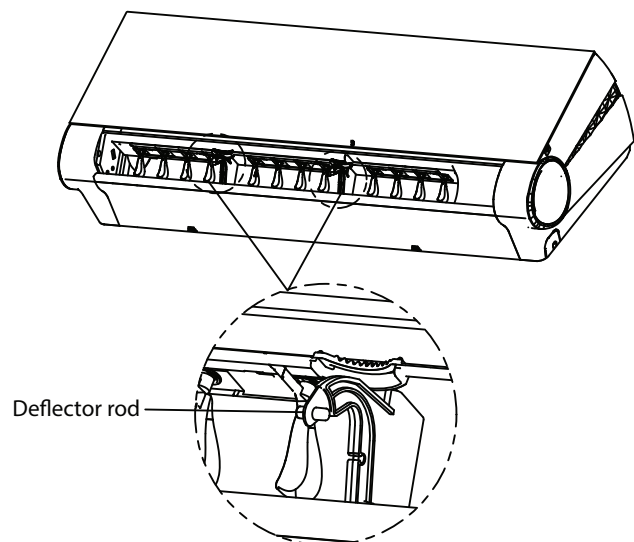
**Caution:** Do not keep louvers at too vertical an angle for long periods of time. This can cause water condensation to drip on your furnishings.

**Fig. A**



### CAUTION

Do not put your fingers in or near the blower and suction side of the unit. The high-speed fan inside the unit may cause injury.



**Fig. B**

# Manual Operation (Without Remote)

# 3

## How to operate your unit without the remote control

In the event that your remote control fails to work, your unit can be operated manually with the **MANUAL CONTROL** button located on the indoor unit. Note that manual operation is not a long-term solution, and that operating the unit with your remote control is strongly recommended.

### BEFORE MANUAL OPERATION

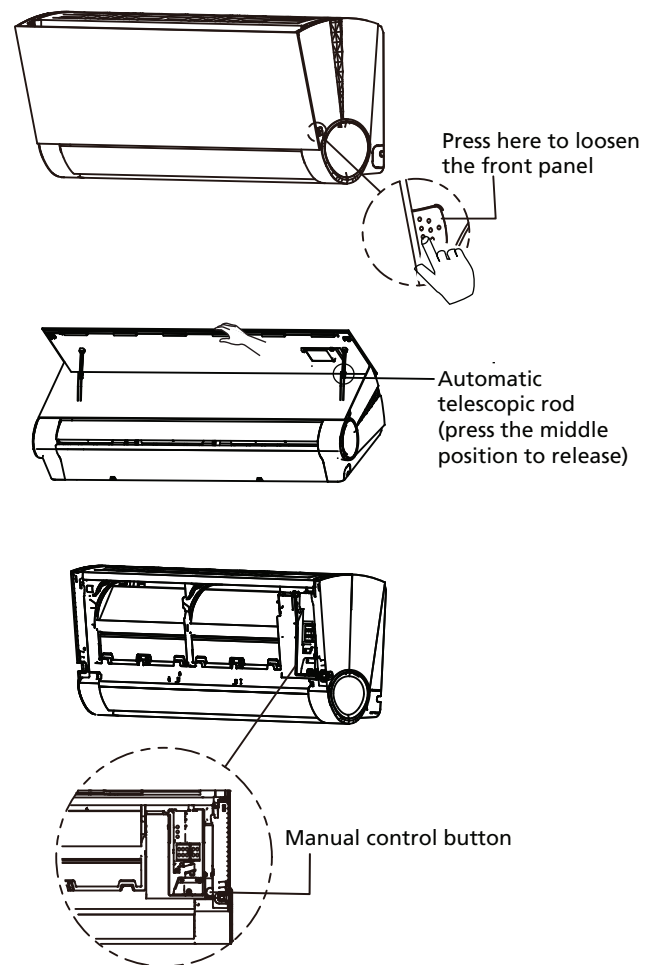
Unit must be turned off before manual operation.

To operate your unit manually:

1. Press the button on both side of the indoor unit to loosen the panel, then lift the front panel up, use the automatic telescopic rod to prop up the panel.
2. Locate the **MANUAL CONTROL** button on the right-hand side of the unit. Press the recessed button with your finger or the tip of a ballpoint pen.
3. Press the **MANUAL CONTROL** button one time to activate FORCED AUTO mode.
4. Press the **MANUAL CONTROL** again to activate FORCED COOLING mode.
5. Press the **MANUAL CONTROL**
6. button a third time to turn the unit off. Hold the panel by hand, and press the middle position of the automatic telescopic rod to close the front panel.

### CAUTION

The manual button is intended for testing purposes and emergency operation only. Please do not use this function unless the remote is lost and it is absolutely necessary. To restore regular operation, use the remote control to activate the unit.



# Care and Maintenance

# 4

## Cleaning Your Indoor Unit

### BEFORE CLEANING OR MAINTENANCE

**ALWAYS TURN OFF YOUR AIR CONDITIONER SYSTEM AND DISCONNECT ITS POWER SUPPLY BEFORE CLEANING OR MAINTENANCE.**

### CAUTION

Only use a soft, dry cloth to wipe the unit clean. If the unit is especially dirty, you can use a cloth soaked in warm water to wipe it clean.

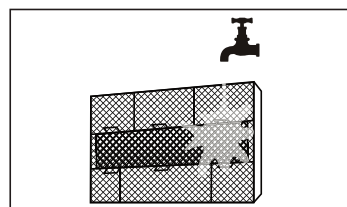
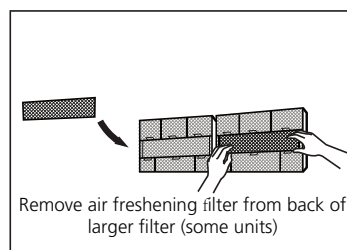
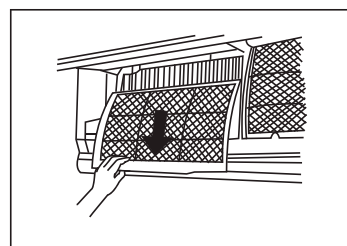
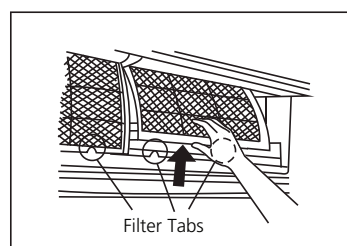
- **Do not** use chemicals or chemically treated cloths to clean the unit
- **Do not** use benzene, paint thinner, polishing powder or other solvents to clean the unit. They can cause the plastic surface to crack or deform.
- **Do not** use water hotter than 40°C (104°F) to clean the front panel. This can cause the panel to deform or become discolored.

## Cleaning Your Air Filter

A clogged air conditioner can reduce the cooling efficiency of your unit, and can also be bad for your health. Make sure to clean the filter once every two weeks.

1. Lift the front panel of the indoor unit. Use suspension bar to prop up the panel (please refer to page 9).
2. Grip the tab on the end of the filter, lift it up, then pull it towards yourself.
3. Now pull the filter out.
4. If your filter has a small air freshening filter, unclip it from the larger filter. Clean this air freshening filter with a hand-held vacuum.
5. Clean the large air filter with warm, soapy water. Be sure to use a mild detergent.

6. Rinse the filter with fresh water, then shake off excess water.
7. Dry it in a cool, dry place, and refrain from exposing it to direct sunlight.
8. When dry, re-clip the air freshening filter to the larger filter, then slide it back into the indoor unit.
9. Close the front panel of the indoor unit.



### CAUTION

Do not touch air freshening (Plasma) filter for at least 10 minutes after turning off the unit.

## CAUTION

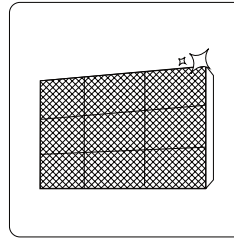
- Before changing the filter or cleaning, turn off the unit and disconnect its power supply.
- When removing filter, do not touch metal parts in the unit. The sharp metal edges can cut you.
- Do not use water to clean the inside of the indoor unit. This can destroy insulation and cause electrical shock.
- Do not expose filter to direct sunlight when drying. This can shrink the filter.

## CAUTION

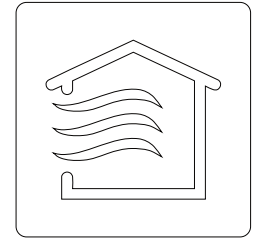
- Any maintenance and cleaning of outdoor unit should be performed by an authorized dealer or a licensed service provider.
- Any unit repairs should be performed by an authorized dealer or a licensed service provider.

## Maintenance – Long Periods of Non-Use

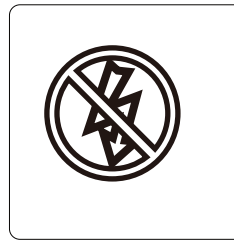
If you plan not to use your air conditioner for an extended period of time, do the following:



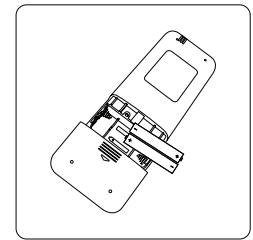
Clean all filters



Turn on FAN function until unit dries out completely



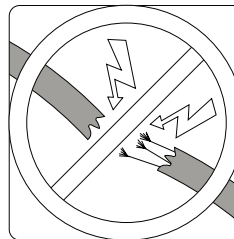
Turn off the unit and disconnect the power



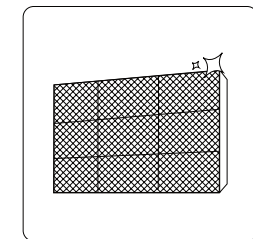
Remove batteries from remote control

## Maintenance – Pre-Season Inspection

After long periods of non-use, or before periods of frequent use, do the following:



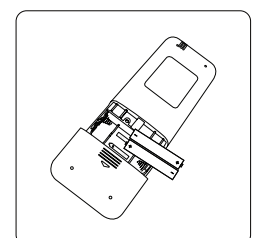
Check for damaged wires



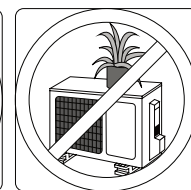
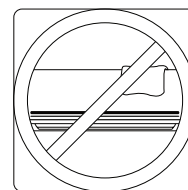
Clean all filters



Check for leaks



Replace batteries



Make sure nothing is blocking all air inlets and outlets

# Troubleshooting

# 5

## SAFETY PRECAUTIONS

If ANY of the following conditions occurs, turn off your unit immediately!

- The power cord is damaged or abnormally warm
- You smell a burning odor
- The unit emits loud or abnormal sounds
- A power fuse blows or the circuit breaker frequently trips
- Water or other objects fall into or out of the unit

**DO NOT ATTEMPT TO FIX THESE YOURSELF! CONTACT AN AUTHORIZED SERVICE PROVIDER IMMEDIATELY!**

## Common Issues

The following problems are not a malfunction and in most situations will not require repairs.

Issue	Possible Causes
<b>Unit does not turn on when pressing ON/OFF button</b>	The Unit has a 3-minute protection feature that prevents the unit from overloading. The unit cannot be restarted within three minutes of being turned off.
<b>The unit changes from COOL/HEAT mode to FAN mode</b>	The unit may change its setting to prevent frost from forming on the unit. Once the temperature increases, the unit will start operating in the previously selected mode again.
	The set temperature has been reached, at which point the unit turns off the compressor. The unit will continue operating when the temperature fluctuates again.
<b>The indoor unit emits white mist</b>	In humid regions, a large temperature difference between the room's air and the conditioned air can cause white mist.
<b>Both the indoor and outdoor units emit white mist</b>	When the unit restarts in HEAT mode after defrosting, white mist may be emitted due to moisture generated from the defrosting process.

Issue	Possible Causes
<b>The indoor unit makes noises</b>	A rushing air sound may occur when the louver resets its position.
	A squeaking sound may occur after running the unit in HEAT mode due to expansion and contraction of the unit's plastic parts.
<b>Both the indoor unit and outdoor unit make noises</b>	Low hissing sound during operation: This is normal and is caused by refrigerant gas flowing through both indoor and outdoor units.
	Low hissing sound when the system starts, has just stopped running, or is defrosting: This noise is normal and is caused by the refrigerant gas stopping or changing direction.
	Squeaking sound: Normal expansion and contraction of plastic and metal parts caused by temperature changes during operation can cause squeaking noises.
<b>The outdoor unit makes noises</b>	The unit will make different sounds based on its current operating mode.
<b>Dust is emitted from either the indoor or outdoor unit</b>	The unit may accumulate dust during extended periods of non-use, which will be emitted when the unit is turned on. This can be mitigated by covering the unit during long periods of inactivity.
<b>The unit emits a bad odor</b>	The unit may absorb odors from the environment (such as furniture, cooking, cigarettes, etc.) which will be emitted during operations.
	The unit's filters have become moldy and should be cleaned.
<b>The fan of the outdoor unit does not operate</b>	During operation, the fan speed is controlled to optimize product operation.
<b>Operation is erratic, unpredictable, or unit is unresponsive</b>	<p>Interference from cell phone towers and remote boosters may cause the unit to malfunction.</p> <p>In this case, try the following:</p> <ul style="list-style-type: none"> <li>• Disconnect the power, then reconnect.</li> <li>• Press ON/OFF button on remote control to restart operation.</li> </ul>

**NOTE:** If problem persists, contact a local dealer or your nearest customer service center. Provide them with a detailed description of the unit malfunction as well as your model number.

## Troubleshooting

When troubles occur, please check the following points before contacting a repair company.

Problem	Possible Causes	Solution
<b>Poor Cooling Performance</b>	Temperature setting may be higher than ambient room temperature	Lower the temperature setting
	The heat exchanger on the indoor or outdoor unit is dirty	Clean the affected heat exchanger
	The air filter is dirty	Remove the filter and clean it according to instructions
	The air inlet or outlet of either unit is blocked	Turn the unit off, remove the obstruction and turn it back on
	Doors and windows are open	Make sure that all doors and windows are closed while operating the unit
	Excessive heat is generated by sunlight	Close windows and curtains during periods of high heat or bright sunshine
	Too many sources of heat in the room (people, computers, electronics, etc.)	Reduce amount of heat sources
	Low refrigerant due to leak or long-term use	Check for leaks, re-seal if necessary and top off refrigerant
	SILENCE function is activated(optional function)	SILENCE function can lower product performance by reducing operating frequency. Turn off SILENCE function.

Problem	Possible Causes	Solution
<b>The unit is not working</b>	Power failure	Wait for the power to be restored
	The power is turned off	Turn on the power
	The fuse is burned out	Replace the fuse
	Remote control batteries are dead	Replace batteries
	The Unit's 3-minute protection has been activated	Wait three minutes after restarting the unit
	Timer is activated	Turn timer off
<b>The unit starts and stops frequently</b>	There's too much or too little refrigerant in the system	Check for leaks and recharge the system with refrigerant.
	Incompressible gas or moisture has entered the system.	Evacuate and recharge the system with refrigerant
	The compressor is broken	Replace the compressor
	The voltage is too high or too low	Install a manostat to regulate the voltage
<b>Poor heating performance</b>	The outdoor temperature is extremely low	Use auxiliary heating device
	Cold air is entering through doors and windows	Make sure that all doors and windows are closed during use
	Low refrigerant due to leak or long-term use	Check for leaks, re-seal if necessary and top off refrigerant
<b>Indicator lamps continue flashing</b>	<p>The unit may stop operation or continue to run safely. If the indicator lamps continue to flash or error codes appear, wait for about 10 minutes. The problem may resolve itself.</p> <p>If not, disconnect the power, then connect it again. Turn the unit on.</p> <p>If the problem persists, disconnect the power and contact your nearest customer service center.</p>	
<p><b>Error code appears and begins with the letters as the following in the window display of indoor unit:</b></p> <ul style="list-style-type: none"> <li>• E(x), P(x), F(x)</li> <li>• EH(xx), EL(xx), EC(xx)</li> <li>• PH(xx), PL(xx), PC(xx)</li> </ul>		

**NOTE:** If your problem persists after performing the checks and diagnostics above, turn off your unit immediately and contact an authorized service center.



# European Disposal Guidelines

# 6

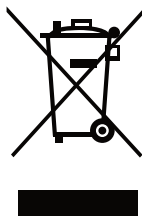
This appliance contains refrigerant and other potentially hazardous materials. When disposing of this appliance, the law requires special collection and treatment. **Do not** dispose of this product as household waste or unsorted municipal waste.

When disposing of this appliance, you have the following options:

- Dispose of the appliance at designated municipal electronic waste collection facility.
- When buying a new appliance, the retailer will take back the old appliance free of charge.
- The manufacturer will take back the old appliance free of charge.
- Sell the appliance to certified scrap metal dealers.

## Special notice

Disposing of this appliance in the forest or other natural surroundings endangers your health and is bad for the environment. Hazardous substances may leak into the ground water and enter the food chain.



All the pictures in the manual are for explanatory purposes only. The actual shape of the unit you purchased may be slightly different, but the operations and functions are the same. The company may not be held responsible for any misprinted information. The design and the specifications of the product for reasons, such as product improvement, are subject to change without any prior notice.

Please consult with the manufacturer at +30 211 300 3300 or with the Sales agency for further details. Any future updates to the manual will be uploaded to the service website, and it is advised to always check for the latest version.



Scan here to download the latest version of this manual.  
[www.inventorairconditioner.com/media-library](http://www.inventorairconditioner.com/media-library)

# Activate your Warranty

- Visit our web site and activate your warranty via the below link or by scanning the QR code

<https://www.inventorairconditioner.com/warranty-inventor>



- Fill all the fields as shown below

To activate the warranty card, please fill in the following fields

Owner details	Unit details
<b>Full Name*</b> <input type="text"/>	<b>Unit Type*</b> <input type="text"/>
<b>Address*</b> <input type="text"/>	<b>Serial Number of the indoor unit*</b> <input type="text"/>
<b>Postal Code*</b> <input type="text"/>	<b>Serial Number of the outdoor unit*</b> <input type="text"/>
<b>Phone Number*</b> <input type="text"/>	<b>Date of Purchase*</b> <input type="text"/>
<b>E-mail*</b> <input type="text"/>	<b>Invoice Number*</b> <input type="text"/>
<b>Subscribe to Inventor's Newsletter</b> <input type="checkbox"/>	<b>Additional Details</b> <input type="text"/>

\* Required field  
With the current warranty card you accept the terms and conditions.

- once the warranty submission has been completed a confirmation message will be sent to your email

# ΠΙΝΑΚΑΣ ΠΕΡΙΕΧΟΜΕΝΩΝ

## Εγχειρίδιο Χρήστη

<b>1</b>	<b>Οδηγίες Ασφαλείας</b> .....	04
<b>2</b>	<b>Χαρακτηριστικά και Λειτουργίες της μονάδας</b> .....	06
	1. Οθόνη εσωτερικής μονάδας .....	06
	2. Κανονική θερμοκρασία λειτουργίας .....	08
	3. Άλλες Λειτουργίες .....	09
	4. Ρύθμιση γωνίας ροής αέρα .....	10
<b>3</b>	<b>Χειροκίνητη Λειτουργία (Χωρίς Τηλεχειριστήριο)</b> .....	12
<b>4</b>	<b>Φροντίδα και Συντήρηση</b> .....	13
<b>5</b>	<b>Σφάλματα</b> .....	15
<b>6</b>	<b>Ευρωπαϊκές Προδιαγραφές Απόρριψης</b> .....	19

# Οδηγίες Ασφαλείας

# 1

## Διαβάστε τις Οδηγίες Ασφαλείας Πριν την Εγκατάσταση

Εσφαλμένη εγκατάσταση λόγω αγνόησης των οδηγιών μπορεί να προκαλέσει σοβαρές καταστροφές ή τραυματισμούς. Η σοβαρότητα πιθανών καταστροφών ή τραυματισμών αναφέρεται είτε ως ΠΡΟΕΙΔΟΠΟΙΗΣΗ είτε ως ΠΡΟΣΟΧΗ



ΠΡΟΕΙΔΟΠΟΙΗΣΗ

**Αυτό το σύμβολο δείχνει ότι η αγνόησή του μπορεί να προκαλέσει θάνατο ή σοβαρό τραυματισμό.**



ΠΡΟΣΟΧΗ

**Αυτό το σύμβολο δείχνει ότι αγνοώντας τις οδηγίες μπορεί να προκληθεί τραυματισμός ή καταστροφή στην συσκευή ή σε άλλη ιδιοκτησία.**



## ΠΡΟΕΙΔΟΠΟΙΗΣΗ

Αυτή η μονάδα μπορεί να χρησιμοποιηθεί από άτομα πάνω από 8 ετών και από άτομα με ειδικές ανάγκες ή έλλειψη εμπειρίας και γνώσης αρκεί να επιβλέπονται από άτομα υπεύθυνα για την ασφαλεία τους. Βεβαιωθείτε πως τα παιδιά δεν παίζουν με τη μονάδα. Ο καθαρισμός και η συντήρησή τους δεν πρέπει να γίνονται χωρίς επίβλεψη

Αυτή η συσκευή δεν προορίζεται για χρήση από άτομα (συμπεριλαμβανομένων παιδιών) με μειωμένες σωματικές, αισθητηριακές ή πνευματικές ικανότητες ή έλλειψη εμπειρίας και γνώσης, εκτός εάν επιβλέπονται ή έχουν λάβει συγκεκριμένες οδηγίες για την ορθή χρήση της συσκευής από άτομο υπεύθυνο για την ασφάλειά τους. Τα παιδιά θα πρέπει να επιβλέπονται για να διασφαλιστεί ότι δεν παίζουν με τη συσκευή (πρότυπες απαιτήσεις του IEC).

## ΠΡΟΕΙΔΟΠΟΙΗΣΕΙΣ ΚΑΤΑ ΤΗ ΧΡΗΣΗ ΤΟΥ ΠΡΟΪΟΝΤΟΣ

- Αν παρουσιαστεί ασυνήθιστη κατάσταση (όπως μυρωδιά καμμένου), αμέσως απενεργοποιήστε τη μονάδα και αποσυνδέστε από τη πρίζα. Καλέστε τον προμηθευτή σας για οδηγίες ώστε να αποφύγετε ηλεκτροπληξία, φωτιά ή τραυματισμό.
- **Μην** βάζετε τα δάχτυλά σας, ράβδους ή άλλα αντικείμενα μέσα στην είσοδο και έξοδο αέρα. Αυτό μπορεί να προκαλέσει τραυματισμό, αφού ο ανεμιστήρας μπορεί να περιστρέφεται σε υψηλές ταχύτητες.
- **Μην** χρησιμοποιείτε εύφλεκτα σπρέυ όπως σπρέυ μαλλιών, βερνίκια ή χρώματα κοντά στη μονάδα. Αυτό μπορεί να προκαλέσει φωτιά ή έκρηξη.
- **Μην** χρησιμοποιείτε το κλιματιστικό σε μέρη κοντά ή γύρω από εύφλεκτα αέρια. Αποβαλλόμενο αέριο μπορεί να μαζευτεί γύρω από τη μονάδα και να προκαλέσει έκρηξη.
- **Μην** χρησιμοποιείτε το κλιματιστικό σε δωμάτιο με νερό (πχ. μπάνιο ή δωμάτιο με μπουγάδα). Αυτό μπορεί να προκαλέσει ηλεκτροπληξία και να προκαλέσει καταστροφές στο προϊόν.
- **Μην** εκθέτετε το σώμα σας ακριβώς μπροστά από το κλιματιστικό για πολλή ώρα.
- **ΜΗΝ** αφήνετε τα παιδιά να παίζουν με το κλιματιστικό. Τα παιδιά πρέπει να επιβλέπονται συνέχεια όταν βρίσκονται κοντά στη μονάδα.
- Εάν το κλιματιστικό χρησιμοποιείται σε συνδυασμό με άλλες θερμαντικές συσκευές, φροντίστε να αερίζεται ο χώρος καλά, ώστε να αποφευχθεί η έλλειψη οξυγόνου.
- Σε ορισμένους χώρους, όπως κουζίνες, αίθουσες εξυπηρέτησης πελατών κ.ο.κ. συνιστάται η χρήση ειδικά σχεδιασμένων μονάδων κλιματισμού.

## ΠΡΟΕΙΔΟΠΟΙΗΣΕΙΣ ΚΑΘΑΡΙΣΜΟΥ ΚΑΙ ΣΥΝΤΗΡΗΣΗΣ

- Απενεργοποιήστε το μηχάνημα και αποσυνδέστε από τη πρίζα πριν καθαρίσετε. Διαφορετικά μπορεί να προκληθεί ηλεκτροπληξία.
- **Μην** καθαρίζετε το κλιματιστικό με μεγάλες ποσότητες νερού.
- **Μην** καθαρίζετε το κλιματιστικό με εύφλεκτα μέσα. Εύφλεκτες ουσίες μπορεί να προκαλέσουν φωτιά ή παραμόρφωση.

## ! ΠΡΟΣΟΧΗ

- Απενεργοποιήστε το κλιματιστικό και αποσυνδέστε τη μονάδα αν δεν σκοπεύετε να την χρησιμοποιήσετε για αρκετό καιρό.
- Απενεργοποιήστε και αποσυνδέστε τη μονάδα κατά τη διάρκεια καταιγίδων.
- Βεβαιωθείτε ότι δεν εμποδίζεται η ροή του νερού στο σωλήνα.
- **Μην** χρησιμοποιείτε τη συσκευή με υγρά χέρια. Μπορεί να προκαλέσει ηλεκτροπληξία.
- **Μην** χρησιμοποιείτε τη μονάδα για διαφορετικό σκοπό από αυτόν που ενδείκνυται.
- **Μην** σκαρφαλώνετε και μην τοποθετείτε αντικείμενα πάνω στην εξωτερική μονάδα.
- **Μην** επιτρέψτε στο κλιματιστικό να λειτουργεί για μεγάλες περιόδους με ανοιχτά τα παράθυρα και τις πόρτες, ή αν η υγρασία είναι πολύ υψηλή.
- Σχετικά με τον τρόπο εγκατάστασης της μονάδας ανατρέξτε για λεπτομέρειες στο "Εγχειρίδιο Εγκατάστασης" στις ενότητες "Εγκατάσταση εσωτερικής μονάδας" και "Εγκατάσταση εξωτερικής μονάδας".

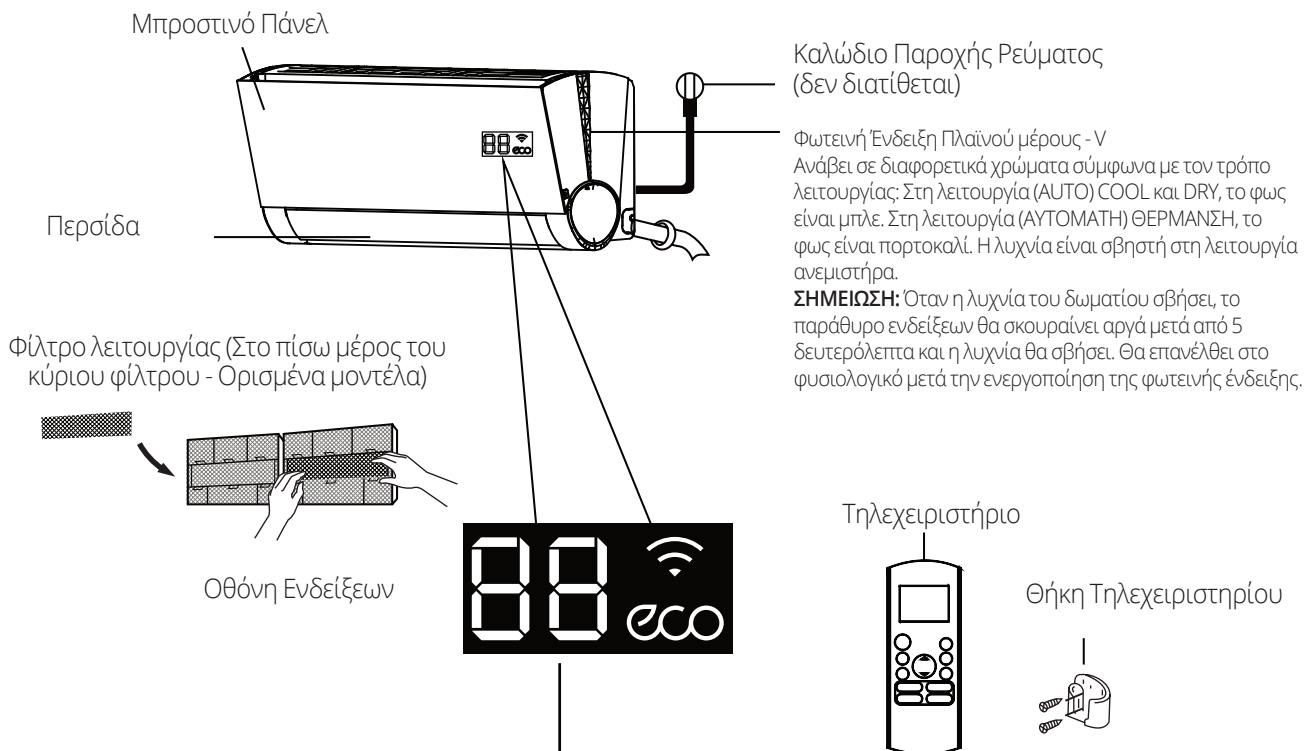
## Σημείωση για Φθοριούχα Αέρια

1. Το κλιματιστικό περιέχει φθοριούχα αέρια. Για συγκεκριμένες πληροφορίες σχετικά με το είδος του ψυκτικού μέσου και τη ποσότητα πλήρωσης, ανατρέξτε στη σχετική ετικέτα τεχνικών χαρακτηριστικών που φέρει η μονάδα ή στο "Εγχειρίδιο Χρήσης" στη συσκευασία της εξωτερικής μονάδας. (Μόνο για προϊόντα της Ευρωπαϊκής Ένωσης).
2. Η εγκατάσταση, η συντήρηση και η επισκευή αυτής της μονάδας πρέπει να πραγματοποιείται από αδειοδοτημένο τεχνικό.
3. Η απεγκατάσταση και η ανακύκλωση του συστήματος κλιματισμού πρέπει να εκτελούνται από αδειοδοτημένο τεχνικό.
4. Εάν το σύστημα έχει εγκατεστημένο σύστημα ανίχνευσης διαρροών, πρέπει να ελέγχεται για διαρροές τουλάχιστον κάθε 24 μήνες.
5. Όταν η μονάδα ελέγχεται για διαρροές, συνιστάται η καταγραφή όλων των αρχείων των ελέγχων.

# Χαρακτηριστικά και Λειτουργίες της μονάδας

# 2

## Οθόνη εσωτερικής μονάδας



" **88** " Εμφανίζει τη θερμοκρασία τη λειτουργία και τους κωδικούς σφαλμάτων:

" **03** " Για 3 δευτερόλεπτα όταν:

Έχει ρυθμιστεί το TIMER ON  
Η λειτουργία FRESH, SWING, TURBO, SILENCE είναι ενεργοποιημένη

" **0F** " Για 3 δευτερόλεπτα όταν:

Έχει ρυθμιστεί το TIMER OFF  
Η λειτουργία FRESH, SWING, TURBO, SILENCE είναι απενεργοποιημένη.

" **cF** " όταν η λειτουργία έξυπνης προθέρμανσης είναι ενεργοποιημένη

" **dF** " όταν γίνεται απόψυξη ( μονάδες ψύξης και θέρμανσης).

" **5C** " όταν η μονάδα βρίσκεται σε κατάσταση αυτοκαθαρισμού

" **FP** " όταν η λειτουργία θέρμανσης 80C είναι ενεργοποιημένη

" **WiFi** " Όταν η ασύρματη λειτουργία είναι ενεργοποιημένη (ορισμένα μοντέλα).

" **eco** " Όταν η λειτουργία ECO είναι ενεργοποιημένη (ορισμένα μοντέλα)

**ΕΝΝΟΙΕΣ  
ΚΩΔΙΚΩΝ  
ΟΘΟΝΗΣ**

**ΣΗΜΕΙΩΣΗ:** Διαφορετικά μοντέλα έχουν διαφορετικό μπροστινό πάνελ και παράθυρο ένδειξης. Δεν είναι όλοι οι δείκτες διαθέσιμοι που περιγράφονται παρακάτω στο κλιματιστικό που προμηθευτήκατε. Ελέγξτε τη μπροστινή οθόνη της μονάδας που προμηθευτήκατε.

Οι ενδείξεις σε αυτό το εγχειρίδιο έχουν επεξηγηματικούς σκοπούς. Το πραγματικό σχήμα της εσωτερικής μονάδας σας μπορεί να είναι ελαφρώς διαφορετικό. Ισχύει το σχήμα της μονάδας που προμηθευτήκατε.

Δεν διατίθεται οδηγός για τη χρήση του τηλεχειριστηρίου με υπέρυθρες στη συσκευασία του προϊόντος. Λάβετε υπόψιν σας ότι δεν είναι διαθέσιμες όλες οι λειτουργίες για την συγκεκριμένη σειρά, ελέγξτε την εσωτερική οθόνη και το τηλεχειριστήριο της συσκευής που αγοράσατε.

## Άλλες λειτουργίες

### • Αυτόματη Επανεκκίνηση

Μετά τη διακοπή ρεύματος, η μονάδα θα επανεκκινηθεί αυτόματα με τις αρχικές ρυθμίσεις μόλις επανέλθει το ρεύμα.

### • Αποφυγή δημιουργίας μούχλας (δεν διατίθεται)

Όταν απενεργοποιήσετε τη μονάδα από καταστάσεις COOL, AUTO (COOL) ή DRY, το κλιματιστικό θα συνεχίσει να λειτουργεί σε χαμηλή ταχύτητα για να απομακρύνει την υγρασία και να αποφευχθεί η δημιουργία μούχλας.

### • Λειτουργία WiFi ελέγχου

Η σύνδεση με WiFi με την μονάδα σας επιτρέπει να μπορείτε να ελέγχεται ασύρματα με το κινητό τηλέφωνο σας το κλιματιστικό. Για την πρόσβαση στη συσκευή USB, οι διαδικασίες αντικατάστασης και συντήρησης θα πρέπει να πραγματοποιούνται από εξειδικευμένο προσωπικό

### • Απομνημόνευση θέσης περσίδων

Όταν ενεργοποιήσετε τη μονάδα η θέση της περσίδας αποθηκεύεται στην μνήμη και θα επιστρέψει στη θέση που είχε επιλεγεί τελευταία φορά από το χρήστη.

### • Ανίχνευση διαρροών ψυκτικού υγρού

Όταν ανιχνεύεται διαρροή ψυκτικού υγρού η εσωτερική μονάδα θα εμφανίσει τον κωδικό EC αυτόματα.

### • Αισθητήρας Φωτός

Όταν η φωτεινή ένδειξη χώρου είναι απενεργοποιημένη, το παράθυρο οθόνης και η φωτεινή περιοχή σχήματος V θα σκουραίνει αργά μετά από 5 δευτερόλεπτα και η λυχνία απενεργοποιείται. Θα επανέλθει στο φυσιολογικό μετά την ενεργοποίηση της φωτεινής ένδειξης.

**ΣΗΜΕΙΩΣΗ:** Όταν η φωτεινή ένδειξη δωματίου είναι φωτεινή, το παράθυρο οθόνης και η περιοχή σχήματος V παραμένουν αναμμένα. Όταν η φωτεινή ένδειξη του δωματίου είναι σκοτεινή, μπορείτε να πιέσετε το πλήκτρο LED στο τηλεχειριστήριο για να ενεργοποιήσετε / απενεργοποιήσετε το παράθυρο της οθόνης.

### • Διαχειριστής Smart Air

Όταν η μονάδα βρίσκεται σε κατάσταση COOL ή AUTO, πιέστε το πλήκτρο SWING του

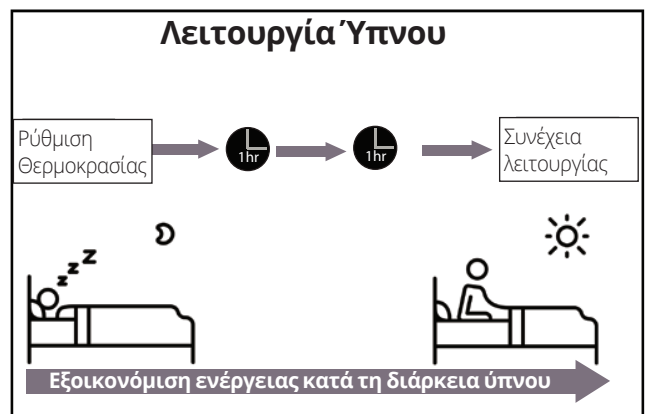
τηλεχειριστηρίου, για να ρυθμίσετε την ροή του αέρα ανάλογα με τις ανάγκες σας.

### • Λειτουργία SLEEP

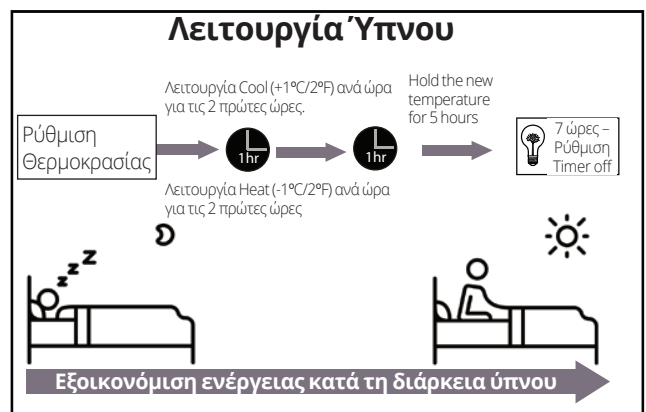
Η λειτουργία SLEEP χρησιμοποιείται για να μειώνει την κατανάλωση ενέργειας κατά τη διάρκεια του ύπνου (και δεν χρειάζεται τις ίδιες ρυθμίσεις θερμοκρασίας για άνετο περιβάλλον). Αυτή η λειτουργία μπορεί να ενεργοποιηθεί μόνο από το τηλεχειριστήριο.

Πιέστε το πλήκτρο SLEEP όταν είστε έτοιμοι να πάτε για ύπνο. Όταν είναι σε κατάσταση ΨΥΞΗΣ, η μονάδα θα αυξήσει τη θερμοκρασία από 1° (2°F) μετά από 1 ώρα και θα αυξήσει ακόμα 1° (2°F) την επόμενη ώρα. Όταν είναι σε κατάσταση ΘΕΡΜΑΝΣΗΣ, η μονάδα θα μειώσει τη θερμοκρασία σε 1° (2°F) μετά από μια ώρα, και θα τη μειώσει ακόμα 1° (2°F) μετά από μια ώρα.

Σε ορισμένα μοντέλα, η λειτουργία "Sleep" θα σταματήσει μετά από 8 ώρες και το σύστημα θα συνεχίσει να λειτουργεί με την τελική ρύθμιση.



Σε ορισμένα μοντέλα, η μονάδα θα απενεργοποιηθεί μετά από 7 ώρες.



## Κανονική θερμοκρασία λειτουργίας

Όταν το κλιματιστικό σας χρησιμοποιείται εκτός των συνιστομένων ευρών θερμοκρασίας, ορισμένα χαρακτηριστικά ασφαλείας θα ενεργοποιηθούν και θα οδηγήσουν στην απενεργοποίηση της μονάδας.

## Inverter Split Type

	ΨΥΞΗ	ΘΕΡΜΑΝΣΗ	ΑΦΥΓΡΑΝΣΗ
Θερμοκρασία Δωματίου	17°C - 32°C (63°F - 90°F)	0°C - 30°C (32°F - 86°F)	10°C - 32°C (50°F - 90°F)
Εξωτερική Θερμοκρασία	0°C - 50°C (32°F - 122°F)	-15°C - 24°C (5°F - 75°F)	0°C - 50°C (32°F - 122°F)
	-15°C - 50°C (5°F - 122°F) (Για μοντέλα με σύστημα χαμηλής θερμοκρασίας)		
	0°C - 52°C (32°F - 126°F) Για ειδικά μοντέλα		0°C - 52°C (32°F - 126°F) Για ειδικά μοντέλα

### ΓΙΑ ΜΟΝΑΔΕΣ ΜΕ ΒΟΗΘΗΤΙΚΑ ΘΕΡΜΑΝΤΙΚΑ ΣΩΜΑΤΑ

Όταν η εξωτερική θερμοκρασία είναι κάτω από 0°C, συνιστούμε να κρατήσετε συνδεδεμένο στη πρίζα το κλιματιστικό σας για να διασφαλίσετε την απόδοσή του.

## Τύπος Σταθερών Στροφών

	ΨΥΞΗ	ΘΕΡΜΑΝΣΗ	ΑΦΥΓΡΑΝΣΗ
Θερμοκρασία Δωματίου	17°C-32°C (63°F-90°F)	0°C-30°C (32°F-86°F)	10°C-32°C (50°F-90°F)
Εξωτερική Θερμοκρασία	18°C-43°C (64°F-109°F)	-7°C-24°C (19°F-75°F)	11°C-43°C (52°F-109°F)
	-7°C-43°C (19°F-109°F)		18°C-43°C (64°F-109°F)
	18°C-52°C (64°F-126°F) (Για μοντέλα με σύστημα χαμηλής θερμοκρασίας)		18°C-52°C (64°F-126°F)

**ΣΗΜΕΙΩΣΗ:** Σχετική υγρασία δωματίου μικρότερη από 80%.

Εάν το κλιματιστικό λειτουργεί πάνω από αυτό το όριο, στην επιφάνεια του κλιματιστικού μπορεί να παρατηρήσετε συμπύκνωση νερού. Ορίστε τη κάθετη περσίδα στη μέγιστη γωνία της (κάθετα στο πάτωμα) και ορίστε ΥΨΗΛΗ λειτουργία ανεμιστήρα για να το αντιμετωπίσετε.

### Για ακόμα πιο βέλτιστη απόδοση της μονάδας, ακολουθήστε:

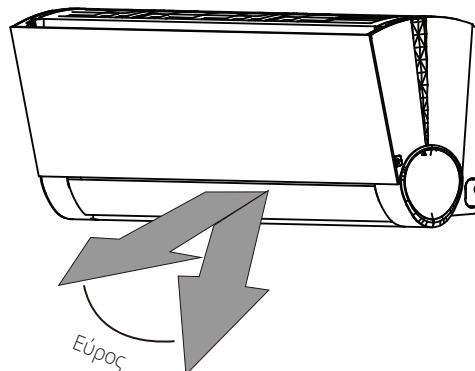
- Κρατήστε τις πόρτες και τα παράθυρα κλειστά.
- Περιορισμένη κατανάλωση ενέργειας μέσω λειτουργιών TIMER ON και TIMER OFF.
- Μην μπλοκάρτε τις εισόδους και εξόδους αέρα.
- Επιθεωρείτε και καθαρίζετε συχνά τα φίλτρα.



## • Ρυθμίζοντας τη γωνία διάχυσης του αέρα

### Ρυθμίζοντας οριζόντια γωνία διάχυσης του αέρα

Η οριζόντια διάχυση του αέρα πρέπει να ρυθμιστεί χειροκίνητα. Μετακινήστε τον μοχλό εκτροπής (Βλέπε Εικ. Β) και χειροκίνητα προσαρμόστε το στην επιθυμητή κατεύθυνση. Για κάποιες μονάδες, η οριζόντια γωνία διάχυσης μπορεί να ρυθμιστεί από το τηλεχειριστήριο. Παρακαλείσθε να αντρέξετε στο εγχειρίδιο χρήσης του τηλεχειριστηρίου.

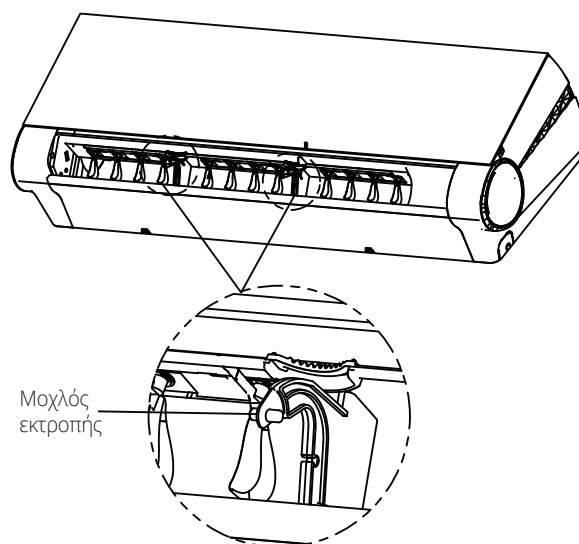


Εικ. Α

**Σημείωση:** Μην μετακινείτε τη περσίδα χειροκίνητα. Αυτό μπορεί να έχει σαν αποτέλεσμα τη παρεμπόδιση του συγχρονισμού της περσίδας. Αν αυτό συμβεί, απενεργοποιήστε τη μονάδα και αποσυνδέστε τη για μερικά δευτερόλεπτα και επαναεκκινήστε. Αυτό θα επαναφέρει τη περσίδα.

### ! ΠΡΟΣΟΧΗ

Μην βάζετε τα δάχτυλά σας κοντά στη έξοδο του αέρα. Η υψηλή ταχύτητα του αέρα μέσα στη μονάδα μπορεί να προκαλέσει τραυματισμούς.



Εικ. Β

# Χειροκίνητη λειτουργία (Χωρίς τηλεχειριστήριο)

# 3

## Πώς να χειρίζεστε τη μονάδα χωρίς το τηλεχειριστήριο

Σε περίπτωση που το τηλεχειριστήριό σας δεν λειτουργεί, η μονάδα μπορεί να λειτουργήσει χειροκίνητα με το πλήκτρο **MANUAL CONTROL** που βρίσκεται στην εσωτερική μονάδα. Σημειώστε ότι η χειροκίνητη λειτουργία δεν είναι μακροπρόθεσμη λύση και συνιστάται η λειτουργία της μονάδας με το τηλεχειριστήριο.

## ΠΡΙΝ ΤΗΝ ΧΕΙΡΟΚΙΝΗΤΗ ΛΕΙΤΟΥΡΓΙΑ

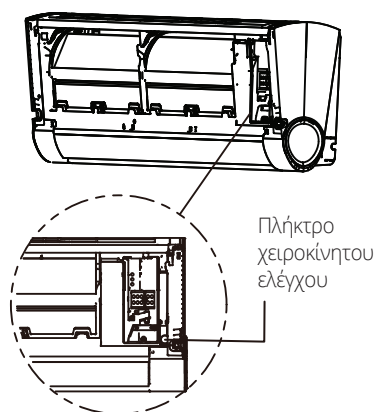
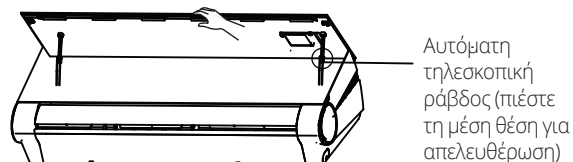
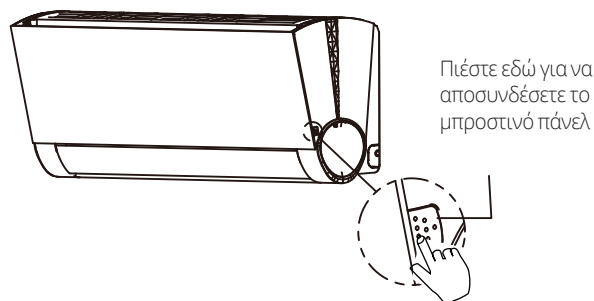
Η μονάδα πρέπει να απενεργοποιηθεί πριν από τη χειροκίνητη λειτουργία.

Για να λειτουργήσετε το κλιματιστικό σας χειροκίνητα:

1. Πιέστε το κουμπί και στις δύο πλευρές της εσωτερικής μονάδας για να απελευθερώσετε το πάνελ, στη συνέχεια σηκώστε προς τα πάνω το μπροστινό πάνελ και χρησιμοποιήστε την αυτόματη τηλεσκοπική ράβδο για να το στηρίξετε.
2. Πιέστε το πλήκτρο **MANUAL CONTROL** με το δάχτυλό σας ή το άκρο ενός στυλό.
3. Πατήστε το πλήκτρο **MANUAL CONTROL** μία φορά για να ενεργοποιήσετε τη λειτουργία **FORCED AUTO**.
4. Πιέστε ξανά το πλήκτρο **MANUAL CONTROL** για να ενεργοποιήσετε τη λειτουργία **COOLING FORCED**.
5. Πιέστε για 3<sup>η</sup> φορά το πλήκτρο **MANUAL CONTROL** για να απενεργοποιήσετε το κλιματιστικό.
6. Κρατήστε με το χέρι το πάνελ και πιέστε τη μεσαία θέση της αυτόματης τηλεσκοπικής ράβδου για να κλείσετε το μπροστινό πάνελ.

## ! ΠΡΟΣΟΧΗ

Το πλήκτρο manual στοχεύει σε έλεγχο και έκτακτης ανάγκης λειτουργία μόνο. Παρακαλείσθε να μην χρησιμοποιείτε αυτή τη λειτουργία εκτός αν έχετε χάσει το τηλεχειριστήριο και είναι απολύτως αναγκαίο. Για να επαναφέρετε τις κανονικές λειτουργίες, χρησιμοποιήστε το τηλεχειριστήριο να ενεργοποιήσετε τη μονάδα.



# Καθαρισμός και Συντήρηση

## 4

### Καθαρισμός Εσωτερικής Μονάδας

#### ! ΠΡΙΝ ΤΟΝ ΚΑΘΑΡΙΣΜΟ Ή ΤΗ ΣΥΝΤΗΡΗΣΗ

**ΑΠΕΝΕΡΓΟΠΟΙΕΙΤΕ ΤΟ ΚΛΙΜΑΤΙΣΤΙΚΟ  
ΚΑΙ ΑΠΟΣΥΝΔΕΣΤΕ ΤΗ ΠΑΡΟΧΗ  
ΡΕΥΜΑΤΟΣ ΠΡΙΝ ΤΟΝ ΚΑΘΑΡΙΣΜΟ ΚΑΙ  
ΤΗ ΣΥΝΤΗΡΗΣΗ.**

#### ! ΠΡΟΣΟΧΗ

Εάν η εσωτερική μονάδα είναι πολύ βρώμικη, μπορείτε να την καθαρίσετε με ένα βρεγμένο πανί και έπειτα να σκουπίσετε με ένα στεγνό πανί.

• **Μην** χρησιμοποιείτε χημικά ή επεξεργασμένο ξεσκονόπανο για τον καθαρισμό.

• **Μην** χρησιμοποιείτε βενζίνη, διαλυτικά, στιλβωτικά ή παρόμοια διαλύματα για τον καθαρισμό. Μπορεί να προκαλέσουν παραμόρφωση ή ράγισμα στις πλαστικές επιφάνειες της μονάδας.

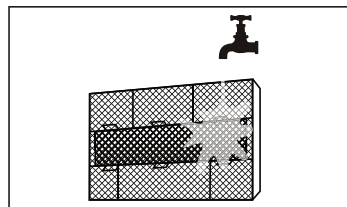
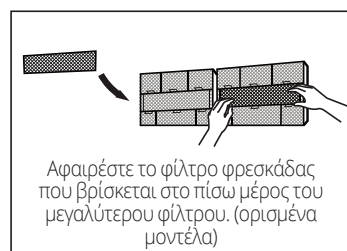
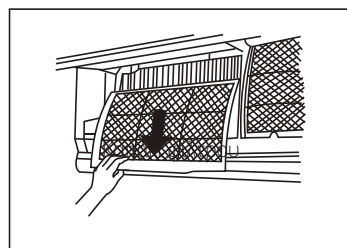
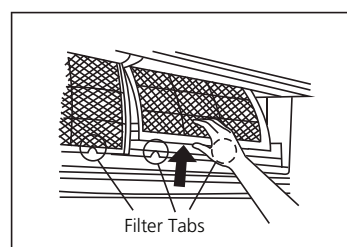
• **Μην** χρησιμοποιείτε για τον καθαρισμό του μπροστινού πάνελ νερό πάνω από 40°C (104°F). Μπορεί να προκληθεί παραμόρφωση ή αποχρωματισμός.

### Καθαρισμός του Φίλτρου Αέρα

Ένα φραγμένο κλιματιστικό μπορεί μειώνει την απόδοση της μονάδας και να είναι βλαβερό για την υγεία σας. Παρακαλούμε να καθαρίζετε τα φίλτρα κάθε 15 ημέρες.

1. Ανασηκώστε το μπροστινό πάνελ της εσωτερικής μονάδας.
2. Πρώτα πιέστε την γλωττίδα στο άκρο του φίλτρου ώστε να το αποδεσμεύσετε, ανασηκώστε την και στη συνέχεια τραβήξτε την προς τα έξω.
3. Αφαιρέστε το φίλτρο.
4. Εάν το φίλτρο σας διαθέτει μικρό φίλτρο για την ανανέωση του αέρα, αποσυνδέστε το από το μεγαλύτερο φίλτρο. Καθαρίστε αυτό το φίλτρο.
5. Καθαρίστε το μεγάλο φίλτρο αέρα με ζεστό, σαπουνώδες νερό. Βεβαιωθείτε ότι χρησιμοποιείτε ήπιο απορρυπαντικό.

6. Καθαρίστε το φίλτρο με φρέσκο νερό, μετά κουνήστε το για να διώξετε το νερό.
7. Στεγνώστε το σε ψυχρό, χωρίς υγρασία δωμάτιο και αποφύγετε την έκθεσή του στον ήλιο.
8. Όταν στεγνώσει, επανατοποθετήστε το φίλτρο ανανέωσης αέρα στο μεγαλύτερο φίλτρο και στη συνέχεια, επανατοποθετήστε το στην εσωτερική μονάδα.
9. Κλείστε το πάνελ της εσωτερικής μονάδας.



#### ! ΠΡΟΣΟΧΗ

Μην αγγίζεται το φίλτρο του κλιματιστικού (Plasma) για τουλάχιστον 10 λεπτά αφότου απενεργοποιήσετε τη μονάδα.

## ! ΠΡΟΣΟΧΗ

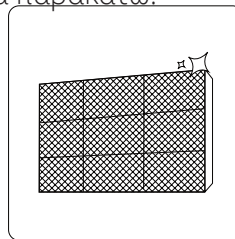
- Πριν αλλάξετε τα φίλτρα ή τα καθαρίσετε, απενεργοποιήστε τη μονάδα και αποσυνδέστε από τη παροχή ρεύματος.
- Όταν μετακινείτε τα φίλτρα, μην αγγίζετε τα μεταλλικά μέρη της μονάδας, υπάρχει κίνδυνος τραυματισμού.
- Μην χρησιμοποιείτε νερό για να καθαρίσετε το εσωτερικό μέρος της εσωτερικής μονάδας. Αυτό μπορεί να καταστρέψει τη μόνωση και να προκαλέσει ηλεκτροπληξία.
- Μην εκθέτετε το φίλτρο απευθείας στην ηλιακή ακτινοβολία. Μπορεί να συρρικνωθεί.

## ! ΠΡΟΣΟΧΗ

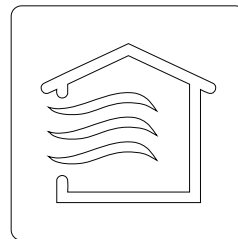
- Οποιαδήποτε διατήρηση ή καθαρισμός της εξωτερικής συσκευής πρέπει να πραγματοποιείται από εξουσιοδοτημένο προμηθευτή ή εξειδικευμένο κέντρο σέρβις.
- Κάθε επισκευή κλιματιστικού πρέπει να πραγματοποιείται από εξουσιοδοτημένο προμηθευτή ή εξειδικευμένο κέντρο σέρβις.

## Συντήρηση- Μεγάλες Περίοδοι Μη -Χρήσης

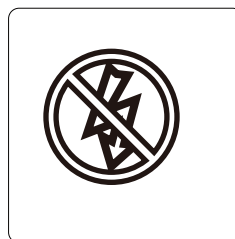
Αν σχεδιάζετε να μην χρησιμοποιήσετε το κλιματιστικό για μεγάλο διάστημα, ακολουθήστε τα παρακάτω:



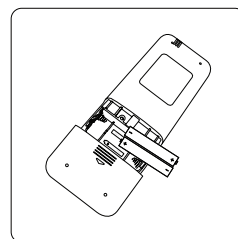
Καθαρίστε όλα τα φίλτρα



Ενεργοποιήστε τη λειτουργία FAN μέχρι να στεγνώσει η μονάδα τελείως



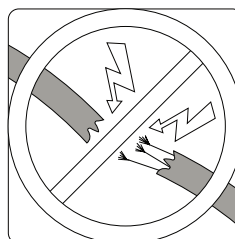
Απενεργοποιήστε τη μονάδα και αποσυνδέστε τη από το ρεύμα



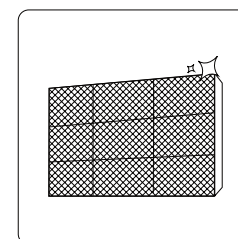
Αφαιρέστε τις μπαταρίες από το τηλεχειριστήριο

## Συντήρηση- Πριν την έναρξη της περιόδου χρήσης

Μετά από μεγάλες περιόδους μη χρήσης της συσκευής ή συνεχόμενης χρήσης της, κάντε τα ακόλουθα:



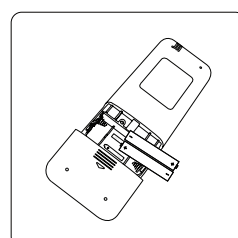
Έλεγχος για κατεστραμμένα καλώδια



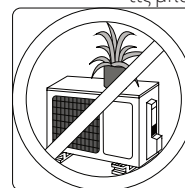
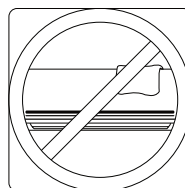
Καθαρίστε όλα τα φίλτρα



Έλεγχος για διαρροές



Αντικαταστήστε τις μπαταρίες



Βεβαιωθείτε ότι τίποτα δεν εμποδίζει όλες τις εισόδους και εξόδους αέρα

## ! ΟΔΗΓΙΕΣ ΑΣΦΑΛΕΙΑΣ

Αν κάποια από τις ακόλουθες συνθήκες συμβαίνει, απενεργοποιήστε το κλιματιστικό σας αμέσως!

- Το καλώδιο παροχής είναι κατεστραμμένο ή ασυνήθιστα ζεστό
- Μυρίζετε μια περίεργη μυρωδιά
- Η μονάδα βγάζει θόρυβο ή ασυνήθιστους ήχους
- Καίγεται συχνά η ασφάλεια ή πέφτει ο ασφαλειοδιακόπτης
- Έπεσε νερό ή άλλο αντικείμενο μέσα στη μονάδα

**ΜΗΝ ΠΡΟΣΠΑΘΗΣΤΕ ΝΑ ΕΠΙΔΙΟΡΘΩΣΤΕ ΜΟΝΟΙ ΣΑΣ! ΕΠΙΚΟΙΝΩΝΗΣΤΕ ΜΕ ΕΞΟΥΣΙΟΔΟΤΗΜΕΝΟ ΚΕΝΤΡΟ ΣΕΡΒΙΣ ΑΜΕΣΩΣ!**

## Κοινά ζητήματα

Τα ακόλουθα προβλήματα δεν αποτελούν δυσλειτουργίες και στις περισσότερες περιπτώσεις δεν χρίζουν επισκευής.

Ζήτημα	Πιθανά Αίτια
<b>Η μονάδα δεν ενεργοποιείται όταν πατάτε το κουμπί ON/OFF</b>	Η μονάδα έχει 3 λεπτών λειτουργία προστασίας για να προφυλάξει το κλιματιστικό από υπερφόρτωση. Η μονάδα δεν μπορεί να επανεκκινηθεί μέσα σε αυτά τα 3 λεπτά που είναι απενεργοποιημένη.
<b>Η μονάδα αλλάζει από κατάσταση ΨΥΞΗΣ/ΘΕΡΜΑΝΣΗΣ σε FAN κατάσταση</b>	Η μονάδα αλλάζει τις ρυθμίσεις ώστε να αποφύγει την δημιουργία πάγου. Από τη στιγμή που αυξηθεί μια φορά η θερμοκρασία, η μονάδα θα αρχίσει να λειτουργεί με βάση τις προηγούμενες ρυθμίσεις ξανά.
	Έχει επιτευχθεί η επιθυμητή θερμοκρασία και σε αυτό το σημείο ο συμπιεστής απενεργοποιείται. Η μονάδα θα επανενεργοποιηθεί όταν η θερμοκρασία διακυμανθεί ξανά.
<b>Η εσωτερική μονάδα αποβάλλει νεφέλωμα</b>	Σε μέρη με υγρασία, μεγάλη διαφορά θερμοκρασίας μεταξύ του αέρα του δωματίου και του κλιματιστικού μπορεί να προκαλέσει νεφέλωμα.
<b>Η εσωτερική και εξωτερική μονάδα αποβάλλει νεφέλωμα</b>	Όταν η μονάδα επανεκκινηθεί σε κατάσταση ΘΕΡΜΑΝΣΗΣ μετά από αποπάγωση λευκό νεφέλωμα μπορεί να αποβληθεί λόγω της υγρασίας που δημιουργείται από τη διαδικασία αποπάγωσης.

<b>Ζήτημα</b>	<b>Πιθανά Αίτια</b>
<b>Η εσωτερική μονάδα κάνει θόρυβο</b>	Ήχος από τον αέρα μπορεί να προκληθεί όταν η περσίδα επαναρυθμίζει τη θέση της.
	Έντονος ήχος μπορεί να προκληθεί αφότου λειτουργήσει η μονάδα σε κατάσταση ΘΕΡΜΑΝΣΗΣ λόγω της επέκτασης και συστολής των πλαστικών μερών της μονάδας.
<b>Η εσωτερική και εξωτερική μονάδα κάνουν θόρυβο</b>	Χαμηλός ήχος σφυρίγματος κατά τη διάρκεια λειτουργίας; Αυτό είναι φυσιολογικό και προκαλείται από το ψυκτικό υγρό που ρέει στην εσωτερική και εξωτερική μονάδα.
	Χαμηλός ήχος σφυρίγματος κατά τη διάρκεια λειτουργίας; Αυτό είναι φυσιολογικό και προκαλείται από το ψυκτικό υγρό που ρέει στην εσωτερική και εξωτερική μονάδα.
	Έντονος ήχος; Φυσιολογική επέκταση και συστολή των πλαστικών και μεταλλικών και προκαλείται από τις θερμοκρασιακές αλλαγές κατά τη διάρκεια της λειτουργίας.
<b>Η εξωτερική μονάδα κάνει θόρυβο</b>	Η μονάδα μπορεί να κάνει διάφορους ήχους βάση της τρέχουσας κατάστασης λειτουργίας.
<b>Σκόνη αποβάλλεται από την εσωτερική ή από την εξωτερική μονάδα</b>	Η μονάδα μπορεί να συσσωρεύει σκόνη αν δεν χρησιμοποιείται για μεγάλες περιόδους, που μπορεί να αποβληθεί κατά την εκκίνησή του. Αυτό μπορεί να περιοριστεί με το να καλύψετε τη μονάδα σε περιόδους μη λειτουργίας.
<b>Η μονάδα αποβάλλει άσχημη μυρωδιά</b>	Η μονάδα μπορεί να απορροφά μυρωδιές από το περιβάλλον (όπως έπιπλα, μαγειρική, τσιγάρα κλπ) τα οποία αποβάλλονται κατά τη λειτουργία.
	Τα φίλτρα της μονάδας έχουν μουχλιάσει και πρέπει να καθαριστούν.
<b>Ο ανεμιστήρας της εξωτερικής μον. δεν λειτουργεί</b>	Κατά τη λειτουργία, η ταχύτητα του ανεμιστήρα ελέγχεται για βέλτιστη απόδοση.
<b>Η λειτουργία είναι ανώμαλη, απρόβλεπτη ή η μονάδα δεν ανταποκρίνεται</b>	Παρεμβολές από τη κεραία της κινητής συσκευής και των ενισχυτών μπορεί να προκαλέσει δυσλειτουργία. Σε αυτή τη περίπτωση, δοκιμάστε: <ul style="list-style-type: none"> <li>• Αποσυνδέστε από τη πρίζα, ξανά συνδέστε.</li> <li>• Πατήστε το κουμπί ON/OFF ώστε να επανεκκινήσετε τη λειτουργία.</li> </ul>

**ΣΗΜΕΙΩΣΗ:** Αν το πρόβλημα συνεχίσει να υπάρχει, επικοινωνήστε με τον τοπικό προμηθευτή ή το κοντινότερο κέντρο σέρβις. Επεξηγήστε λεπτομερώς τη δυσλειτουργία της μονάδας καθώς και τον αριθμό του μοντέλου.

## ΣΦΑΛΜΑΤΑ

Όταν συμβεί κάποιο σφάλμα, παρακαλούμε ελέγξτε τα ακόλουθα πριν επικοινωνήσετε με την εταιρία επισκευής.

Ζήτημα	Πιθανά Αίτια	Λύση
<b>Μειωμένη Απόδοση Ψύξης</b>	Η ρύθμιση της θερμοκρασίας μπορεί να είναι υψηλότερη από τη θερμοκρασία περιβάλλοντος	Ρύθμιση χαμηλότερης θερμοκρασίας
	Ο εναλλάκτης θερμότητας στην εσωτερική ή εξωτερική μονάδα είναι βρώμικος.	Καθαρίστε τον εναλλάκτη θερμότητας
	Το φίλτρο αέρα είναι βρώμικο	Αφαιρέστε το φίλτρο και καθαρίστε σύμφωνα με τις οδηγίες
	Η είσοδος ή έξοδος αέρα της κάθε μονάδας είναι φρακαρισμένη	Απενεργοποιήστε τη μονάδα, αφαιρέστε τα εμπόδια και επανενεργοποιήστε
	Οι πόρτες και τα παράθυρα είναι ανοιχτά	Βεβαιωθείτε ότι όλες οι πόρτες και τα παράθυρα είναι κλειστά κατά τη διάρκεια λειτουργίας της μονάδας
	Υπερβολική θερμότητα παράγεται από την ηλιακή ακτινοβολία	Κλείστε τα παράθυρα και τις κουρτίνες κατά τις περιόδους αυξημένης θερμότητας ή ηλιοφάνειας
	Υπερβολικές πηγές θέρμανσης στο δωμάτιο (άνθρωποι, υπολογιστές, ηλεκτρονικές συσκευές κλπ)	Μειώστε τις ποσότητες από τις θερμαντικές πηγές
	Μειωμένο ψυκτικό υγρό λόγω διαρροής ή παρατεταμένης χρήσης	Έλεγχος για διαρροές, κουμπώστε ξανά αν είναι αναγκαίο και γεμίστε με υγρό
	Λειτουργία SILENCE είναι ενεργοποιημένη	Λειτουργία SILENCE μπορεί μειώσει την απόδοση μειώνοντας τις στροφές λειτουργίας. Απενεργοποιήστε τη λειτουργία SILENCE.



<b>Ζήτημα</b>	<b>Πιθανά Αίτια</b>	<b>Λύση</b>
<b>Η μονάδα δεν δουλεύει</b>	Διακοπή Ρεύματος	Αναμονή να επανέλθει το ρεύμα
	Αποσύνδεση από το ρεύμα	Επανεσύνδεση με το ρεύμα
	Καμμένη ασφάλεια	Αντικατάσταση Ασφάλειας
	Έχουν τελειώσει οι μπαταρίες	Αντικαταστήστε τις μπαταρίες
	Η 3 λεπτών προστασία της μονάδας έχει ενεργοποιηθεί	Περιμένετε 3 λεπτά αφότου επανεκκινήσετε τη μονάδα
	Ο Χρονοδιακόπτης έχει ενεργοποιηθεί	Ο Χρονοδιακόπτης έχει απενεργοποιηθεί
<b>Η μονάδα ξεκινάει και σταματάει συχνά</b>	Υπάρχει πολύ ή λίγο ψυκτικό στο σύστημα	Ελέγξτε για διαρροές και ξανά γεμίστε το σύστημα με ψυκτικό υγρό.
	Ασυμπίεστο αέριο ή υγρασία έχει εισέλθει στο σύστημα.	Αδειάστε και ξανά γεμίστε το σύστημα με ψυκτικό υγρό.
	Ο συμπιεστής είναι χαλασμένος	Αντικαταστήστε το συμπιεστή
	Η τάση είναι πολύ υψηλή ή χαμηλή	Εγκαταστήστε ένα μανόμετρο να ρυθμίσετε τη τάση
<b>Μειωμένη απόδοση θέρμανσης</b>	Η εξωτερική θερμοκρασία είναι χαμηλότερη από 7°C (44.5°F)	Χρησιμοποιήστε βοηθητικά θερμαντικά σώματα
	Κρύος αέρας εισέρχεται από πόρτες και παράθυρα	Βεβαιώστε ότι όλες οι πόρτες και τα παράθυρα είναι κλειστά κατά τη διάρκεια της χρήσης
	Μειωμένο ψυκτικό υγρό λόγω διαρροής ή παρατεταμένης χρήσης	Ελέγξτε για διαρροές, κουμπώστε αν είναι απαραίτητο και ξανά γεμίστε με ψυκτικό υγρό.
<b>Οι ενδεικτικές λυχνίες συνεχίζουν να αναβοσβήνουν</b>	<p>Η μονάδα μπορεί να σταματήσει τη λειτουργία ή να τεθεί σε λειτουργία ασφαλείας. Περιμένετε 10 λεπτά αν συνεχίσει να αναβοσβήνει ή εμφανιστούν οι κωδικοί σφαλμάτων μήπως η μονάδα επανέλθει από μόνη της. Αν όχι αποσυνδέστε τη από την παροχή ρεύματος και επανασυνδέστε τη. Ενεργοποιήστε τη μονάδα. Εάν το πρόβλημα παραμένει αποσυνδέστε τη μονάδα από το ρεύμα και επικοινωνήστε με το κοντινότερο κέντρο σέρβις.</p>	
<b>Εάν στην οθόνη εμφανίζεται ένας από τους παρακάτω κωδικούς:</b> - E0, E1, E2... - P1, P2, P3... - F1, F2, F3...		

**ΣΗΜΕΙΩΣΗ:** Εάν το σφάλμα παραμένει παρά τους ελέγχους και τις διαγνώσεις, απενεργοποιήστε τη μονάδα αμέσως και επικοινωνήστε με ένα εξουσιοδοτημένο κέντρο σέρβις.



# Ευρωπαϊκές Προδιαγραφές Απόρριψης

# 6

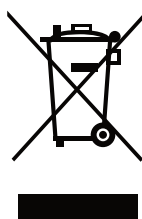
Αυτή η συσκευή εμπεριέχει ψυκτικό και άλλα πιθανώς επικίνδυνα υλικά. Όταν απορρίπτετε τη συσκευή, ο νόμος προϋποθέτει ειδική περισυλλογή και μεταχείριση. Μην απορρίπτετε το προϊόν σαν οικιακά ή μη διαχωρισμένα αστικά απορρίματα.

Όταν απορρίπτετε τη συσκευή, έχετε τις ακόλουθες περιπτώσεις:

- Απορρίψτε τη συσκευή σε ενδεδειγμένες μονάδες απόρριψης ηλεκτρονικών συσκευών.
- Όταν αγοράζετε νέα συσκευή, ο έμπορος θα πάρει πίσω τη παλιά συσκευή χωρίς χρέωση.
- Ο κατασκευαστής θα πάρει πίσω τη παλιά συσκευή χωρίς χρέωση.
- Πουλήστε τη συσκευή σε πιστοποιημένο έμπορο άχρηστων μετάλλων.

## Ειδική Παρατήρηση

Η απόρριψη αυτής της συσκευής σε δάσος ή άλλο φυσικό περιβάλλον θέτει σε κίνδυνο την υγεία σας και είναι βλαβερό για το περιβάλλον. Επικίνδυνες ουσίες μπορεί να διαρρεύσουν στα υπόγεια ύδατα και να εισέλθουν στη τροφική αλυσίδα.



Όλες οι εικόνες στο παρόν εγχειρίδιο εξυπηρετούν επεξηγηματικούς σκοπούς.

Το προϊόν που προμηθευτήκατε μπορεί να εμφανίζει ορισμένες διαφορές ως προς το σχήμα, ωστόσο οι λειτουργίες και τα χαρακτηριστικά παραμένουν ίδια.

Η εταιρεία δεν φέρει ευθύνη για τυχόν τυπογραφικά λάθη. Ο σχεδιασμός και οι προδιαγραφές του προϊόντος μπορεί να τροποποιηθούν χωρίς προηγούμενη ειδοποίηση με σκοπό τη βελτίωση των προϊόντων.

Για λεπτομέρειες, απευθυνθείτε στον κατασκευαστή στο 211 300 3300 ή στον αντιπρόσωπο. Τυχόν ενημερώσεις του εγχειρίδιου θα αναρτηθούν στην ιστοσελίδα του κατασκευαστή, παρακαλούμε να ελέγξετε για την πιο πρόσφατη έκδοση.



Σαρώστε εδώ για να κατεβάσετε την τελευταία έκδοση του εγχειριδίου.  
[www.inventoraircondition.gr/media-library](http://www.inventoraircondition.gr/media-library)

# Υποβολή Εγγύησης

- Επισκεφθείτε τη σελίδα μας και ενεργοποιήστε την εγγύησή σας μέσω του παρακάτω link ή σκανάροντας το QR code

<https://www.inventoraircondition.gr/egiisi-inventor>



- Συμπληρώστε όλα τα πεδία όπως φαίνονται παρακάτω

Για να ενεργοποιήσετε την εγγύηση, παρακαλούμε συμπληρώστε τα παρακάτω πεδία

## Στοιχεία ιδιοκτήτη

Όνοματεπώνυμο\*

Διεύθυνση\*

T.K.\*

Τηλέφωνο\*

Διεύθυνση email\*

Να εγγραφώ στο newsletter της Inventor

\* Απαραίτητο πεδίο

Αποστέλοντας τη φόρμα εγγύησης αποδέχεστε τους όρους και τις προϋποθέσεις.

ΑΠΟΣΤΟΛΗ

## Στοιχεία μηχανήματος

Τύπος μηχανήματος\*

Σειριακός αριθμός εσωτερικού μηχανήματος\*

Σειριακός αριθμός εξωτερικού μηχανήματος\*

Ημερομηνία αγοράς μηχανήματος\*

Αριθμός παραστατικού\*

Επιπλέον στοιχεία

- Μόλις ολοκληρωθεί η υποβολή της εγγύησης θα λάβετε την επιβεβαίωση κατοχύρωσης στο email σας

# Cuprins

## Manual Utilizatorului

<b>1</b>	<b>Precauții privind siguranța</b> .....	04
<b>2</b>	<b>Specificații și caracteristici ale aparatului</b> .....	06
	1. Afisaj unitate interioara .....	06
	2. Temperatura normala de functionare.....	08
	3. Alte caractersiticiç .....	09
	4. Reglarea unghiului de distributie a aerului .....	10
<b>3</b>	<b>Operare manuală (fără telecomandă)</b> .....	12
<b>4</b>	<b>Îngrijire și mentenanță</b> .....	13
<b>5</b>	<b>Rezolvarea problemelor</b> .....	15
<b>6</b>	<b>Indicații europene pentru eliminare</b> .....	19

# Precauții privind siguranța

# 1

## Citiți precauțiile privind siguranța înainte de instalare

Instalarea incorectă datorată ignorării instrucțiunilor poate cauza daune însemnate sau vătămare corporală. Însemnătatea daunelor sau vătămarilor posibile se clasifică fie care AVERTIZARE fie ca ATENȚIONARE.



AVERTIZARE

**Acest simbol indică faptul că ignorarea instrucțiunilor poate duce la deces sau vătămare gravă.**



ATENȚIONARE

**Acest simbol indică faptul că ignorarea instrucțiunilor poate duce la vătămare moderată asupra propriei persoane sau avarierea aparatului sau proprietății dvs.**



## AVERTIZARE

Acest aparat poate fi utilizat de către copiii de peste 8 ani și de către persoanele cu capacități fizice, senzoriale sau mentale reduse, sau cu lipsă de experiență și cunoștințe dacă sunt supravegheate sau instruite cu privire la utilizarea aparatului în siguranță și dacă înțeleg pericolele asociate cu aceasta. Nu permiteți copiilor să se joace cu aparatul. Curățarea și mentenanța realizată de utilizator nu trebuie realizată de copii fără supraveghere.

Acest aparat nu este destinat utilizării de către persoane (inclusiv copii), cu capacități reduse, fizice, senzoriale sau mentale, decât dacă sunt însoțiți sau li s-a făcut instructajul. Copiii vor fi supravegheați pentru a vă asigura că nu se vor juca, cu echipamentul (Standard IEC).

## AVERTIZĂRI LEGATE DE UTILIZAREA PRODUSULUI

- Dacă apare o situație anormală (de genul mirosului de ars), opriți imediat aparatul și trageți din priză. Sunați la dealer pentru instrucțiuni pentru a evita electrocutarea, incendiul sau vătămarea.
- **Nu** introduceți degetele, bețe sau alte obiecte în admisia sau evacuarea de aer. Acest lucru poate cauza vătămare, deoarece ventilatorul se poate roti la viteze mari.
- **Nu** utilizați sprayuri inflamabile de genul fixativului, lacuri sau vopsele în apropierea aparatului. Acest lucru poate duce la incendiu sau explozie.
- **Nu** permiteți funcționarea aparatului de aer condiționat în locuri din apropierea sau din jurul gazelor inflamabile. Gazele emise se pot acumula în jurul aparatului și pot duce la explozie.
- **Nu** permiteți funcționarea aparatului de aer condiționat într-o cameră cu umiditate mare (de exemplu baie sau camera pentru spălat rufe). Acest lucru poate duce la electrocutare și poate cauza deteriorarea produsului.
- **Nu** vă expuneți corpul în mod direct la aerul rece pentru perioade lungi de timp.
- **Nu** permiteți copiilor să se joace cu aparatul de aer condiționat.
- Dacă folosiți aparatul de aer condiționat împreună cu alte dispozitive pentru încălzire, asigurați aerisirea camerei pentru a evita deficiențele de oxigen.
- Pentru încăperi specifice, precum bucătăriile sau camerele de server, folosiți doar aparate de aer condiționat potrivite cerințelor încăperilor respective.

## AVERTIZĂRI LEGATE DE CURĂȚARE ȘI MENTENANȚĂ

- Opriți aparatul și scoateți din priză înainte de a-l curăța. Dacă nu faceți acest lucru vă puteți electrocuta.
- **Nu** curățați aparatul de aer condiționat cu o cantitate mare de apă.
- **Nu** curățați aparatul de aer condiționat cu agenți de curățare inflamabili. Agenții de curățare inflamabili pot duce la incendiu sau deformare.

## ! ATENȚIONĂRI

- Opriți aparatul de aer condiționat și scoateți din priză aparatul dacă nu intenționați să îl utilizați pentru o perioadă lungă de timp.
- Opriți și scoateți din priză aparatul în timpul furtunilor.
- Asigurați-vă că apa rezultată din condens se poate scurge din aparat
- **Nu** manevrați aparatul de aer condiționat cu mâinile ude. Acest lucru poate duce la electrocutare. Nu utilizați aparatul în alte scopuri decât pentru utilizarea specificată.
- **Nu** vă urcați pe sau nu puneți obiecte pe unitatea exterioară.
- **Nu** permiteți aparatului de aer condiționat să funcționeze perioade lungi de timp cu ușile și ferestrele deschise, sau dacă umiditatea este foarte mare.
- Pentru instalarea aparatului pe suport, va rugăm să consultați "Manualul de Instalare", la capitolele "Instalarea unitatii interioare" și "Instalarea unitatii exterioare"

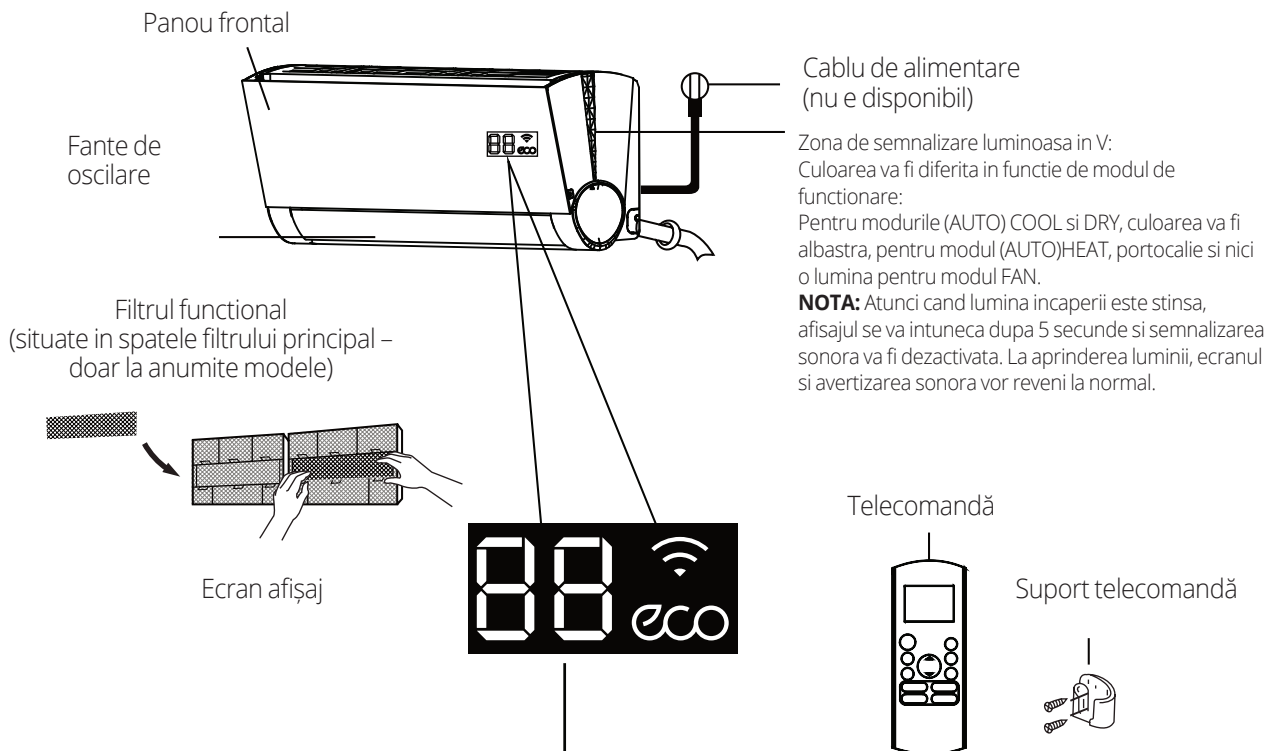
## Note cu privire la Gazele Fluorurate

1. Acest echipament contine gaze fluorurate, ce produc efect de sera. Pentru mai multe informatii despre tipul de gaz si cantitate, va rugam sa consultati eticheta atasata unitatii sau fisa tehnica din Manualul Utilizatorului (valabil doar pentru produsele comercializate in Uniunea Europeana).
2. Instalarea, reparatiile si lucrarile de mentenanta vor fi facute doar de catre tehnicieni autorizati.
3. Dezinstalarea si reciclarea produsului vor fi facute doar de catre tehncieni autorizati.
4. Echipamentele ce contine gaze fluorurate ("F"), cu o cantitate de cel putin 5 tone CO<sub>2</sub>, dar mai putin de 50 de tone CO<sub>2</sub>, vor fi verificate cel putin o data la 24 de luni.
5. Atunci cand se fac verificari impotriva scurgerilor, se recomanda ca toate datele sa fie pastrate.

# Specificații și caracteristici ale aparatului

# 2

## Componente ale aparatului



" **88** " Afisarea codurilor de eroare, a temperaturii și modului de funcționare:

" **0n** " pentru 3 secunde atunci când:  
TEMPORIZATORUL este pornit  
Sunt activate funcțiile FRESH, SWING, TURBO, SILECE

" **0F** " pentru 3 secunde atunci când:  
TEMPORIZATORUL este oprit  
Funcțiile FRESH, SWING, TURBO, SILENCE sunt oprite.

" **cF** " în timpul degivrării (pentru unitățile cu răcire & încălzire)

" **dF** " când este activată funcția anti-aer rece.

" **SC** " la activarea funcției de auto-curățare

" **FP** " la activarea funcției 8 °C

" **Wi** " la activarea funcției de control Wireless

" **eco** " atunci când funcția ECO este activă (valabil doar la anumite unități)

**Semnificatia  
codurilor  
afisate**

Manualul de utilizare al telecomenzii cu infrarosu nu este inclus in colet. Nu toate functiile sunt disponibile cu acest aparat, de aceea va rugam sa verificati panoul interior de afisaj si telecomanda aparatului achizitionat.

## Alte funcții

### • Repornirea automată

Dacă aparatul este deconectat de la alimentare va reporni automat utilizând setările anterioare de îndată ce alimentarea este restabilă.

### • Funcția anti-mucegai (nu e disponibil)

La oprirea aparatului din modulele RĂCIRE, AUTOMAT (RĂCIRE) sau DEZUMIDIFICARE aparatul de aer condiționat va continua să funcționeze în mod economic pentru a usca apa condensată și a preveni apariția mucegaiului.

### • Control Wi-Fi

Controlul Wi-Fi vă permite să controlați aparatul de aer condiționat folosind telefonul mobil și o conexiune Wi-Fi.

Înlocuirea moduluui Wi-Fi sau lucrari de mentenanță la acesta, contactați departamentul de service sau persoane calificate.

### • Memorarea unghiului fantei de oscilare

La pornirea aparatului dvs., fanta de oscilare va fi poziționată automat în unghiul folosit anterior.

### • Detectarea scurgerilor de agent frigorific

Unitate interioară va afișa automat „EC” atunci când detectează scurgeri de agent frigorific.

### • Senzor de lumina inteligent

Atunci când lumina încăperii este stinsă, afisajul se va întuneca după 5 secunde și semnalizarea sonoră va fi dezactivată. La aprinderea luminii, ecranul și avertizarea sonoră vor reveni la normal.

**NOTA:** Dacă lumina încăperii este puternică, display-ul și zona de semnalizare luminoasă vor rămâne pornite. Dacă lumina din încăpere este slabă și camera este întunecată, puteți apăsa butonul LED pentru a porni/opri display-ul.

### • Sistem inteligent pentru managementul aerului

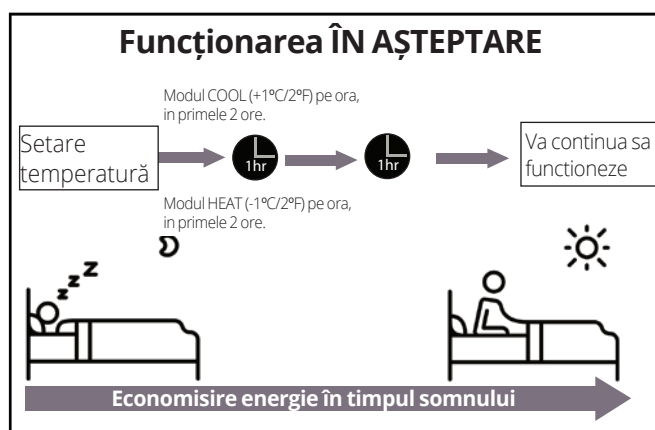
Atunci când aparatul funcționează în modul COOL sau AUTO, apăsați butonul SWING de pe telecomandă pentru ajustarea direcției fluxului de aer. Această opțiune va direcționa fluxul către dumneavoastră.

### • Funcționarea în modul în așteptare

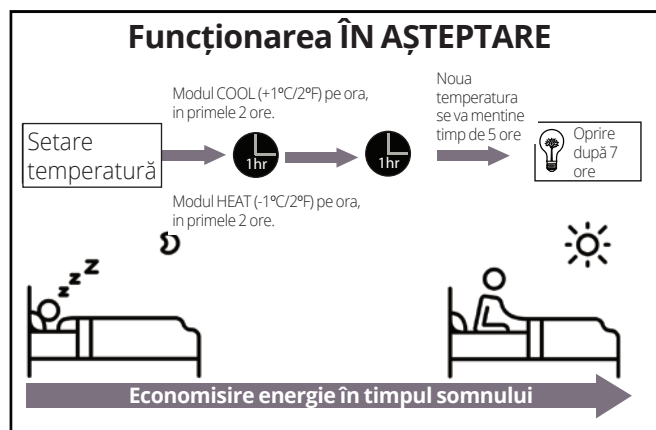
Funcția ÎN AȘTEPTARE este utilizată pentru a scădea consumul de energie în timp ce dormiți (și nu aveți nevoie de aceeași setare de temperatură pentru a vă simți confortabil). Această funcție poate fi activată doar cu ajutorul telecomenzii.

Apăsați butonul ÎN AȘTEPTARE atunci când vă pregătiți de culcare. Când se află în modul RĂCIRE, aparatul va crește temperatura cu 1°C (2° F) după o oră și va crește suplimentar cu câte 1°C (2° F) după fiecare oră. Atunci când se află în modul ÎNCĂLZIRE, aparatul va scădea temperatura cu 1°C (2° F) după o oră și va scădea suplimentar cu câte 1°C (2° F) după fiecare oră.

Pentru anumite unități, funcția SLEEP se va dezactiva după 8 ore iar sistemul va continua să funcționeze cu setările precedente.



La anumite unități, această funcție se va dezactiva după 7 ore



## Temperatura normala de operare

Atunci cand folositi aparatul in afara intervalului normal de temperatura, anumite functii de protectie se vor activa iar unitatea se va opri

## Invertor de tip split

	Modul RĂCIRE	Modul ÎNCĂLZIRE	Modul DEZUMIDIFICARE
Temperatura camerei	17°C - 32°C (63°F - 90°F)	0°C - 30°C (32°F - 86°F)	10°C - 32°C (50°F - 90°F)
Temperatura din exterior	0°C - 50°C (32°F - 122°F)	-15°C - 24°C (5°F - 75°F)	0°C - 50°C (32°F - 122°F)
	-15°C - 50°C (5°F - 122°F) (Pentru modele cu sisteme de răcire la temp. scăzute)		
	0°C - 52°C (32°F - 126°F) (Pentru modele tropicale speciale)		0°C - 52°C (32°F - 126°F) (Pentru modele tropicale speciale)

### PENTRU APARATE CU ÎNCĂLZIRE ELECTRICĂ SUPPLEMENTARĂ

Atunci când temperatura din exterior este mai mică de 0°C (32°F), vă recomandăm insistent să păstrați aparatul în priză mereu pentru a asigura o performanță continuă bună.

## Model cu viteza fixa

	Modul RĂCIRE	Modul ÎNCĂLZIRE	Modul DEZUMIDIFICARE
Temperatura camerei	17°C-32°C (63°F-90°F)	0°C-30°C (32°F-86°F)	10°C-32°C (50°F-90°F)
Temperatura din exterior	18°C-43°C (64°F-109°F)	-7°C-24°C (19°F-75°F)	11°C-43°C (52°F-109°F)
	-7°C-43°C (19°F-109°F) (Pentru modele cu sisteme de răcire la temp. scăzute)		18°C-43°C (64°F-109°F)
	18°C-52°C (64°F-126°F) (Pentru modele tropicale speciale)		18°C-52°C (64°F-126°F) (Pentru modele tropicale speciale)

**NOTA:** RNivelul relativ al umiditatii din incapere trebuie sa fie mai mic de 80%. In cazul operarii aparatului intr-o incaperi cu umiditate peste nivelul mentionata, acesta poate favoriza aparitia condensului. In cazul acesta, recomandam reglarea flapsului la unghi maxim (vertical pe podea) si pornirea ventilatorului pe treapta cea mai mare (HIGH).

### Pentru a optimiza performanța aparatului dvs., vă rugăm să luați următoarele acțiuni:

- Să țineți ușile și ferestrele închise.
- Să limitați utilizarea energiei electrice prin folosirea funcțiilor de TEMPORIZARE PORNITĂ și TEMPORIZARE OPRITĂ.
- Nu blocați admisia sau evacuarea aerului.
- Verificați regulat și curățați filtrele de aer



## • Setarea unghiului pentru fluxul de aer

### Setarea unghiului orizontal pentru fluxul de aer

Unghiul orizontal al fluxului de aer trebuie setat manual. Apucați tija deflectorului (Fig. 2.3) și potriviți manual direcția conform preferințelor dvs. În funcție de model, unghiul orizontal al fluxului de aer poate fi setat prin telecomandă. Vă rugăm consultați manualul telecomenzii.

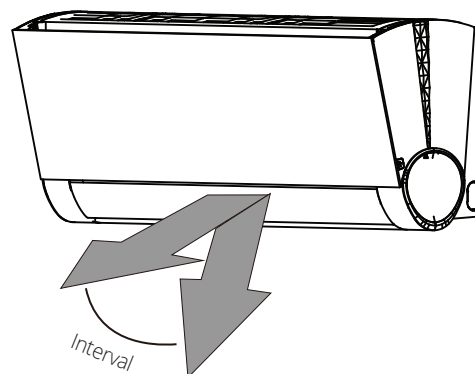


Fig. A

**Notă:** Nu mișcați fanta cu mâna. Acest lucru va duce la dereglare fantei. Dacă se întâmplă acest lucru, opriți aparatul și scoateți-l din priză pentru câteva secunde, apoi reporniți aparatul. Acest lucru va reseta fanta de oscilare.

### ! ATENȚIONARE

Nu introduceți degetele în sau în apropiere de partea de evacuare și admisie a aparatului. Viteza mare a ventilatorului din interior poate duce la vătămare.

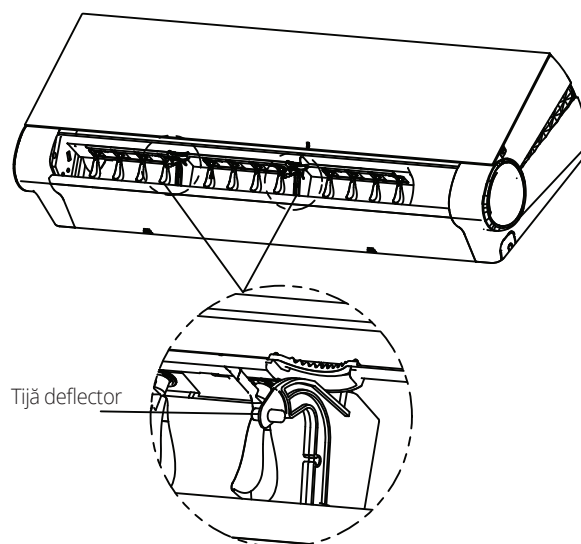


Fig. B

# Operarea manuală (fără telecomandă)

# 3

## Cum sa folositi aparatul de aer conditionat fara telecomanda

In cazul in care telecomanda se defecteaza, puteti opera aparatul de aer conditionat si manual, cu ajutorul butonului CONTROL MANUAL, aflat pe unitatea interna. Luati in considerare faptul ca optiunea de a controla manual aparatul nu este o solutie de lunga durata.

## ÎNAINTE DE OPERAREA MANUALĂ

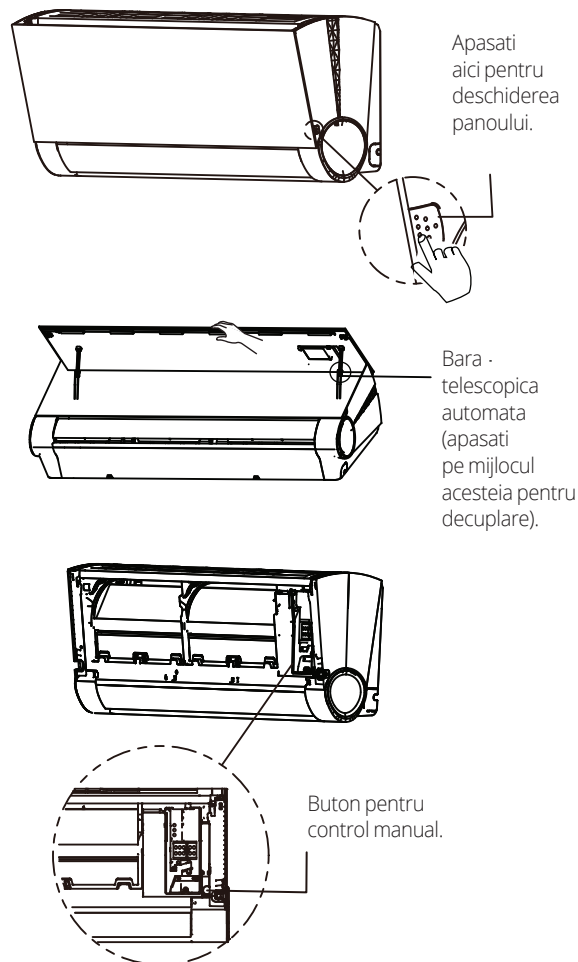
Unitatea trebuie sa fie oprita inainte de controlul manual.

Pentru operarea manuala a aparatului:

1. Apasati butoanele de pe lateralele unitatii interioare, pentru a putea inlatura si ridica panoul frontal. Folositi bara telescopica pentru a securiza panoul.
2. Localizati butonul **MANUAL CONTROL**, in partea dreapta a unitatii. Apasati butonul cu degetul sau cu ajutorul unui pix.
3. APASATI BUTONUL **MANUAL CONTROL** o data, pentru activarea modului FORCED AUTO.
4. APASATI BUTONUL **MANUAL CONTROL** din nou, pentru activarea modului FORCED COOLING.
5. APASATI BUTONUL **MANUAL CONTROL** a 3 a oara, pentru a opri unitatea.
6. Tintei panoul cu mana si apasati pe mijlocul barei telescopice, pentru a inchide panoul frontal.

## ! AVERTIZARE

Butonul manual este destinat scopurilor de testare și funcționării în caz de urgență. Vă rugăm nu folosiți această funcție decât dacă telecomanda este pierdută sau acest lucru este absolut necesar. Pentru a reveni la funcționarea normală, utilizați telecomanda pentru a activa aparatul.



# Îngrijire și mentenanță

# 4

## Curățarea unității interioare

### ! ÎNAINTE DE CURĂȚARE SAU MENTENANȚĂ

**OPRIȚI ÎNTOTDEAUNA SISTEMUL DE AER CONDIȚIONAT ȘI SCOATEȚI DIN PRIZĂ ÎNAINTE DE CURĂȚARE SAU MENTENANȚĂ.**

### ! ATENȚIONARE

Utilizați doar o cârpă moale și uscată pentru a șterge aparatul. Dacă aparatul este foarte murdar, puteți folosi o cârpă înmuiată în apă caldă pentru a-l șterge.

- Nu utilizați chimicale și cârpe tratate chimic pentru a curăța aparatul
- Nu utilizați benzen, diluant, praf de curățat sau alți solvenți pentru a curăța aparatul. Acest lucru poate duce la crăparea sau deformarea capacului de plastic.
- Nu folosiți apă mai caldă de 40°C (104°F) pentru a curăța panoul frontal. Acest lucru poate duce la deformarea panoului sau decolorarea acestuia.

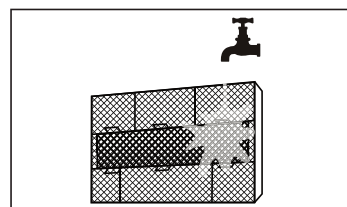
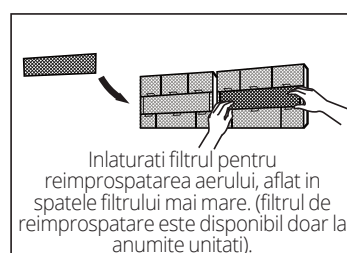
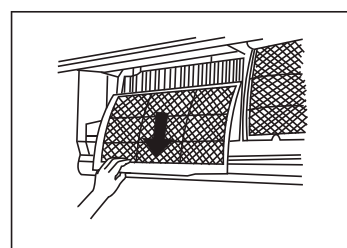
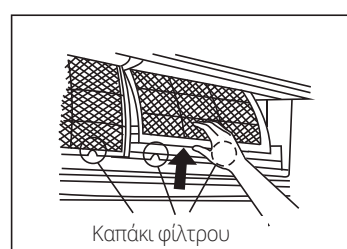
## Curățarea filtrului de aer

Un aparat de aer condiționat înfundat poate reduce eficiența de răcire a aparatului dvs. și vă poate dăuna sănătății.

Asigurați-vă că filtrul este curățat o dată la două săptămâni.

1. Ridicați panoul frontal al unitatii interioare.
2. Apasati clapeta de la marginea filtrului pentru a slabi catarama, apoi trageți ușor către dvs.
3. Acum puteți scoate filtrul.
4. Dacă filtrul dumneavoastră de aer are disponibil un filtrul pentru împrospătarea aerului, detasați acel filtru și curățați-l cu ajutorul unui aspirator.
5. Curățați filtrul de aer mare cu apă caldă cu săpun. Este important să folosiți un detergent delicat.

6. Clătiți filtrul cu apă curată apoi scuturați excesul de apă.
7. Uscați-l într-un loc răcoros și uscat și nu îl expuneți în lumina directă a soarelui.
8. După uscare, atașați filtrul pentru împrospătarea aerului de filtrul de aer și apoi introduceți-le în unitatea interioară.
9. Închideți panoul frontal al unitatii interioare.



### ! ATENȚIONARE

Nu atingeți filtrul de împrospătare aer (plasma) pentru cel puțin 10 minute după oprirea aparatului.

## ! ATENȚIONARE

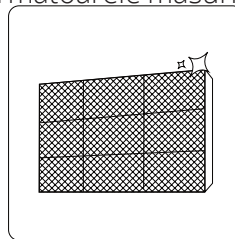
- Înainte de a schimba sau curăța filtrul, opriți aparatul și scoateți-l din priză.
- La îndepărtarea filtrului, nu atingeți părțile metalice din aparat. Marginile metalice ascuțite vă pot tăia.
- Nu utilizați apa pentru a curăța interiorul unității interioare. Acest lucru poate distruge izolarea și poate duce la electrocutare.
- Nu expuneți filtrul în lumina directă a soarelui în timpul uscării. Acest lucru poate micșora filtrul.

## ! ATENȚIONARE

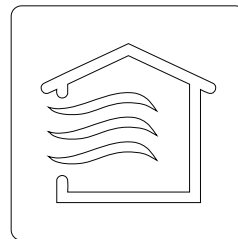
- Orice acțiune de mentenanță sau curățare a unității exterioare va fi efectuată de către un dealer autorizat sau un furnizor de service autorizat.
- Orice reparații ale aparatului trebuie realizate de către un dealer autorizat sau un furnizor de service autorizat.

## Mentenanță – Perioade lungi de neutilizare

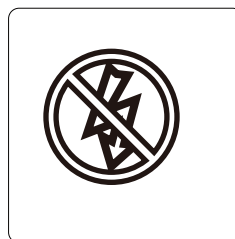
Dacă plănuți să nu utilizați aparatul de aer condiționat pe o perioadă mai mare de timp, luați următoarele măsuri:



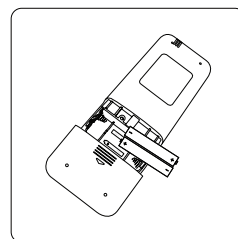
Curățați toate filtrele



Porniți funcția de ventilare până la uscarea completă



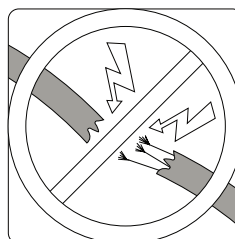
Opriți aparatul și deconectați de la alimentarea electrică



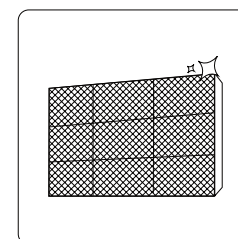
Îndepărtați bateriile din telecomandă

## Mentenanță – Inspecția înainte de sezon

Dacă plănuți să nu utilizați aparatul de aer condiționat pe o perioadă mai mare de timp, luați următoarele măsuri:



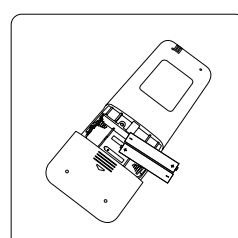
Verificați avarierea firelor



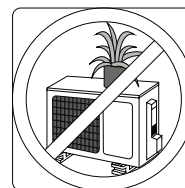
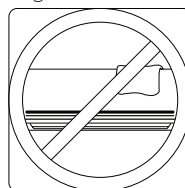
Curățați toate filtrele



Verificați să nu existe scurgeri



Înlocuiți bateriile



Asigurați-vă că admisia /evacuarea aer nu sunt blocate

# Rezolvarea problemelor

# 5

## PRECAUȚII PRIVIND SIGURANȚA

Dacă apare ORICARE din următoarele condiții, opriți aparatul imediat!

- Cablul de alimentare este avariata sau anormal de cald
- Simțiți un miros de ars
- Unitatea scoate zgomote puternice sau anormale
- Se arde o siguranță sau întrerupătorul se declanșează frecvent
- Apă sau alte obiecte cad în sau pe aparat

**NU ÎNCERCAȚI SĂ REZOLVAȚI SINGURI ACESTE PROBLEME, CONTACTAȚI FURNIZORUL DE SERVICE AUTORIZAT IMEDIAT!**

## Probleme obișnuite

Următoarele probleme nu reprezintă o defecțiune și în majoritatea situațiilor nu necesită reparații.

Problemă	Cauze posibile
<b>Aparatul nu pornește la apăsarea butonului pornire / oprire</b>	Aparatul are o funcție de protecție de 3 minute ce previne supraîncălzirea aparatului. Aparatul nu poate fi repornit în cadrul celor trei minute de la oprire.
<b>Aparatul se schimbă de pe modul RĂCIRE / ÎNCĂLZIRE pe modul VENTILARE</b>	Aparatul își poate schimba setările pentru a preveni acumularea gheții pe aparat. Odată ce temperatura crește, aparatul va funcționa în modul de funcționare selectat anterior.
	Temperatura setată a fost atinsă, moment în care aparatul oprește compresorul. Aparatul va continua funcționarea atunci când temperatura fluctuează din nou.
<b>Unitatea interioară emană o ceață albă</b>	În zonele cu umiditate ridicată, o diferență mare de temperatură între aerul din cameră și aerul condiționat pot duce la formarea de ceață albă.
<b>Atât unitatea interioară cât și cea exterioară emană o ceață albă</b>	Atunci când aparatul care pornește în modulul ÎNCĂLZIRE după degivrare, o ceață albă poate fi emanată datorită umezelii generate de procesul de degivrare.

<b>Problemă</b>	<b>Cauze posibile</b>
<b>Unitatea interioară scoate zgomot</b>	Un zgomot de circulare a aerului poate apărea la resetarea poziției fantei de oscilare.
	Un sunet de scârțâit poate apărea la funcționarea aparatului în modul ÎNCĂLZIRE datorită dilatării și contracției părților din plastic ale aparatului.
<b>Atât unitatea interioară cât și cea exterioară scot zgomote</b>	Un sunet încet șuierat în timpul funcționării: acest lucru este normal și este cauzat de scurgerea gazului frigorific atât prin unitatea interioară cât și prin cea exterioară.
	Sunet încet de șuierat la pornirea sistemului, atunci când funcționarea este oprită sau în timpul degivrării. Acest zgomot este normal și este cauzat de gazul frigorific care se oprește și își schimbă direcția.
	Un sunet de scârțâit: dilatarea și contracția normală a plasticului și a pieselor din metal cauzată de schimbările de temperatură din timpul funcționării pot duce la un zgomot de scârțâit.
<b>Unitate exterioară scoate zgomote</b>	Aparatul va scoate diferite sunete în funcție de modul de funcționare actual.
<b>Iese praf fie din unitatea interioară fie din cea exterioară</b>	Aparatul poate acumula praf pe parcursul perioadelor lungi de neutilizare, praf ce va fi eliminat atunci când aparatul este pornit. Acest lucru poate fi diminuat prin acoperirea aparatului pe timpul perioadelor lungi de inactivitate.
<b>Aparatul emană un miros neplăcut</b>	Aparatul poate absorbi mirosuri din mediul înconjurător (cum ar fi cel de mobilă, de la gătit, de țigări etc.) care va fi emis în timpul funcționării
	Filtrele aparatului au mucegăit și trebuie curățate.
<b>Ventilatorul unității exterioare nu funcționează</b>	În timpul funcționării, viteza ventilatorului este controlată pentru a optimiza funcționarea produsului.
<b>Funcționarea este haotică, imprezvizibilă sau aparatul nu răspunde comenzilor</b>	Interferențe de la relee de telefonie mobilă și amplificatoare de la distanță pot duce la funcționarea defectuoasă a aparatului. În acest caz încercați următoarele: <ul style="list-style-type: none"> <li>• Deconectați de la energia electrică apoi reporniți;</li> <li>• Apăsați butonul PORNIRE / OPRIRE de pe telecomandă pentru a restabili funcționarea.</li> </ul>

**NOTĂ:** dacă problema persistă, contactați un dealer local de la cel mai apropiat centru de service pentru clienți. Vă rugăm să le furnizați o descriere detaliată a defecțiunii aparatului cât și numărul modelului dvs.

## Rezolvarea problemelor

Atunci când apar probleme, vă rugăm verificați următoarele puncte înainte de a contacta compania pentru reparații.

Problemă	Cauze posibile	Soluție
<b>Performanță slabă de răcire</b>	Setarea temperaturii poate fi mai mare decât temperatura ambientală.	Scădeți setările de temperatură.
	Schimbătorul de căldură de pe unitatea interioară sau exterioară este murdar.	Curățați schimbătorul de căldură afectat.
	Filtrul de aer este murdar.	Înlăturați filtrul și curățați-l conform instrucțiunilor.
	Admisia sau evacuarea de aer a oricărei dintre unități este blocată.	Opriti aparatul, îndepărtați obstrucțiile și porniți-l din nou.
	Ușile sau ferestrele sunt deschise.	Asigurați-vă că toate ușile și ferestrele sunt închise în timpul funcționării aparatului.
	O căldură excesivă este generată de lumina soarelui.	Închideți ferestrele și perdelele în perioadele călduroase sau cele cu lumina puternică a soarelui.
	Există prea multe surse de încălzire în cameră (oameni, computere, electronice, etc.).	Reduceți cantitatea surselor de căldură.
	Agentul frigorific este puțin datorită scurgerilor sau utilizării îndelungate.	Verificați pentru scurgeri, resigilați dacă este necesar și adăugați agent frigorific.
Funcția SILENȚIOS este activată.	Funcția SILENȚIOS poate duce la o performanță scăzută a produsului prin reducerea funcționării frecvente. Opriti funcția SILENȚIOS.	

<b>Problemă</b>	<b>Cauze posibile</b>	<b>Soluție</b>
<b>Aparatul nu funcționează</b>	Cădere de curent	Așteptați revenirea electricității
	Alimentarea este oprită.	Porniți aparatul.
	Siguranța s-a ars.	Înlocuiți siguranța.
	Bateriile telecomenzii sunt terminate.	Înlocuiți bateriile.
	Este activată protecția de 3 minute a aparatului.	Așteptați trei minute după repornirea aparatului.
	Este activat temporizatorul.	Opriți temporizatorul.
<b>Aparatul pornește și se oprește des</b>	Agentul frigorific este prea mult sau prea puțin în sistem.	Verificați scurgerile și reîncărcați sistemul cu agent frigorific.
	Gaze necompresibile sau umezeala au pătruns în sistem.	Eliminați și reîncărcați sistemul cu agent frigorific.
	Compresorul este stricat.	Înlocuiți compresorul
	Voltajul este prea mare sau prea mic.	Instalați un manostat pentru a regla voltajul.
<b>Performanță scăzută de încălzire</b>	Temperatura exterioară este mai mică de 7°C (44.5°F).	Utilizați un dispozitiv de încălzire suplimentar.
	Aerul rece intră pe uși și ferestre.	Asigurați-vă că toate ușile și ferestrele sunt închise în timpul utilizării.
	Agentul frigorific este puțin datorită scurgerilor sau utilizării îndelungate.	Verificați pentru scurgeri, resigilați dacă este necesar și adăugați agent frigorific.
<b>Lumina indicatoare se aprinde intermitent</b>	<p>Aparatul se poate opri din funcțiune sau poate continua să funcționeze în siguranță. Dacă lumina indicatorului continuă să se aprindă intermitent sau apar coduri de eroare, așteptați aproximativ 10 minute. Problema se poate rezolva de la sine. Dacă nu, deconectați de la energia electrică apoi reconectați. Porniți aparatul.</p> <p>Dacă problema persistă, deconectați de la energia electrică și contactați cel mai apropiat centru de service pentru clienți.</p>	
<b>Apare un cod de eroare pe ecranul de afișaj al unității interioare</b> - E0, E1, E2... - P1, P2, P3... - F1, F2, F3...		

**NOTĂ:** dacă problema persistă după realizarea verificărilor și diagnostice lor de mai sus, opriți imediat aparatul și contactați un Centru de Service autorizat.



# Indicații europene pentru eliminare

# 6

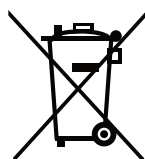
Acest aparat conține agent frigorific și alte materiale cu potențial periculos. Atunci când eliminați acest aparat, legea prevede o colectare și tratare specială. Nu eliminați acest produs ca și deșeu menajer sau deșeu municipal nesortat.

La eliminarea acestui aparat, aveți la dispoziție următoarele opțiuni:

- Aruncați aparatul în cadrul instalației municipale de colectare a deșeurilor electronice.
- Atunci când achiziționați un nou aparat, comerciantul va prelua vechiul aparat în mod gratuit.
- Producătorul va primi vechiul aparat gratuit.
- Vindeți aparatul către dealeri de fier vechi certificați.

## Notificare specială

Aruncarea acestui aparat în pădure sau în alte medii naturale pune în pericol sănătatea dvs. și dăunează mediului înconjurător. Substanțe periculoase se pot scurge în pânza freatică și pot pătrunde în lanțul alimentar.



Toate imaginile din acest manual, au scop pur informativ. Forma reala a produsului pe care l-ati cumparat poate fi usor diferita insa functiile si operatiile sunt aceleasi.

Compania nu isi asuma nici o responsabilitate pentru greselile de tipar. Aspectul fizic si specificatiile tehnice se pot schimba fara o notificare prealabila datorita imbunatatirii continue a echipamentelor noastre.

Pentru mai multe detalii, va rugam sa contactati producatorul la numarul de telefon : +30 211 300 3300, sau vanzatorul echipamentului. Toate actualizarile acestui manual vor fi disponibile pe website-ul nostru si va recomandam sa verificati intotdeauna pentru aparitia unei noi versiuni.



Scanati codul QR pentru a descarca ultima versiune a manualului.  
[www.inventoraerconditionat.ro/biblioteca-media](http://www.inventoraerconditionat.ro/biblioteca-media)

# Activati-va garantia

- Accesati link-ul de mai jos sau scanati codul QR pentru a va activa garantia pe site-ul nostru.

<https://www.inventoraerconditionat.ro/certificatul-de-garantie-inventor-aer-conditionat-si-electrocasnice>



- Completati toate campurile conform exemplului de mai jos

Pentru a activa garantia, va rugam sa completati urmatoarele campuri

## Detalii proprietar

Nume complet\*

Adresa\*

Cod Postal\*

Numar de telefon\*

E-mail\*

Abonati-va la Newsletter-ul Inventor

\* Camp obligatoriu

Cu acest certificat de garantie acceptati Termenii si Conditile.

TRIMITE

## Detalii unitate

Tip aparat\*

Numărul serial al unității interioare\*

Numărul serial al unității exterioare\*

Data de achizitie\*

Numar Factura\*

Detalii aditionale



Odata ce garantia a fost activata, veti primi un email de confirmare

# INHALTSVERZEICHNIS

## Benutzerhandbuch

<b>1</b>	<b>Sicherheitshinweise</b> .....	04
<b>2</b>	<b>Merkmale und Funktionen des Geräts</b> .....	06
	1. Bildschirm der Inneneinheit .....	06
	2. Normale Betriebstemperatur.....	08
	3. Andere Funktionen .....	09
	4. Luftstromwinkeleinstellung.....	10
<b>3</b>	<b>Manueller Betrieb (ohne Fernbedienung)</b> .....	12
<b>4</b>	<b>Pflege und Wartung</b> .....	13
<b>5</b>	<b>Fehler</b> .....	15
<b>6</b>	<b>Europäische Entsorgungsspezifikationen</b> .....	19

# Sicherheitshinweise

# 1

## Vor Beginn der Installationsarbeiten, bitte sorgfältig die Sicherheitshinweise lesen

Unsachgemäße Installation durch Nichtbeachtung der Anweisungen kann zu schweren Schäden oder Verletzungen führen. Der Schweregrad möglicher Schäden oder Verletzungen wird wie folgt angegeben WARNUNG oder VORSICHT



WARNUNG

**Dieses Symbol zeigt an, dass seine Unkenntnis Tod oder schwere Verletzungen verursachen kann.**



VORSICHT

**Dieses Symbol zeigt an, dass das Ignorieren von Anweisungen Verletzungen oder Schäden am Gerät oder an anderen Gegenständen verursachen kann.**



### WARNUNG

Diese Einheit kann von Personen ab 8 Jahren sowie von Menschen mit Behinderungen oder mangelnder Erfahrung und Wissen verwendet werden, sofern sie von Personen überwacht werden, die für ihre Sicherheit verantwortlich sind. Stellen Sie sicher, dass Kinder nicht mit dem Gerät spielen. Reinigung und Wartung dürfen nicht unbeaufsichtigt sein

Dieses Gerät ist nicht für den Gebrauch durch Personen (einschließlich Kinder) mit reduzierten körperlichen, sensorischen oder intellektuellen Fähigkeiten oder mangelnden Erfahrungen und Kenntnissen gedacht, es sei denn, sie werden beaufsichtigt oder haben spezifische Anweisungen für den ordnungsgemäßen Gebrauch des Geräts durch eine für ihre Sicherheit verantwortliche Person erhalten. Kinder sollten beaufsichtigt werden, um sicherzustellen, dass sie nicht mit dem Gerät spielen (Anforderungen der IEC-Norm).

### WARNHINWEISE BEI DER VERWENDUNG DES PRODUKTS

- Schalten Sie das Gerät sofort aus und ziehen Sie es aus der Steckdose, wenn eine ungewöhnliche Situation (wie verbrannter Geruch) auftritt. Wenden Sie sich an Ihren Lieferanten, um Anweisungen zu erhalten, um Stromschläge, Feuer oder Verletzungen zu vermeiden.
- Stecken Sie **nicht** Ihre Finger, Stangen oder andere Gegenstände in den Lufteinlass und -auslass. Dies kann zu Verletzungen führen, da sich der Lüfter bei hohen Geschwindigkeiten drehen kann.
- Verwenden Sie **keine** brennbaren Sprays wie Haarspray, Lack oder Farbe in der Nähe des Geräts. Dies kann einen Brand oder eine Explosion verursachen.
- Verwenden Sie die Klimaanlage **nicht** an Orten in der Nähe von brennbaren Gasen oder in deren Umgebung. Abgeführtes Gas könnte sich um das Gerät herum ansammeln und eine Explosion verursachen.
- **Verwenden Sie die Klimaanlage nicht** in einem Raum mit Wasser (z. B. einem Badezimmer oder Zimmer mit Wäscherei). Dies kann einen elektrischen Schlag verursachen und das Produkt beschädigen.
- Setzen Sie Ihren Körper **nicht** für längere Zeit direkt vor der Klimaanlage aus.
- Lassen Sie Kinder **NICHT** mit der Klimaanlage spielen. Kinder sollten ständig beaufsichtigt werden, wenn sie sich in der Nähe des Geräts befinden.
- Wenn das Klimagerät zusammen mit anderen Heizgeräten verwendet wird, stellen Sie sicher, dass der Raum gut belüftet ist, um einen Sauerstoffmangel zu vermeiden.
- In einigen Orten, z. B. in Küchen, Kundendiensträumen usw. es wird empfohlen, speziell entwickelte Klimaanlagen zu verwenden.

## REINIGUNGS- UND WARTUNGSHINWEISE

- Schalten Sie das Gerät aus und ziehen Sie den Netzstecker, bevor Sie es reinigen. Andernfalls kann es zu einem Stromschlag kommen.
- Reinigen Sie die Klimaanlage **nicht** mit großen Wassermengen.
- Reinigen Sie die Klimaanlage **nicht** mit leicht entzündlichen Mitteln. Entzündliche Stoffe können Brand oder Verformung verursachen.

## VORSICHT

- Schalten Sie die Klimaanlage aus und trennen Sie das Gerät ab, wenn Sie es längere Zeit nicht zu benutzen beabsichtigen.
- Schalten Sie das Gerät aus und trennen Sie es während Stürmen vom Netz.
- Stellen Sie sicher, dass der Wasserfluss in der Rohrleitung nicht behindert wird.
- Verwenden Sie das Gerät **nicht** mit nassen Händen. Dies kann zu einem Stromschlag führen.
- Verwenden Sie das Gerät **nicht** für andere als die angegebenen Zwecke.
- Klettern Sie **nicht** auf das Außengerät und stellen Sie keine Gegenstände darauf.
- Lassen Sie die Klimaanlage **nicht** über längere Zeit bei geöffneten Fenstern und Türen oder bei zu hoher Luftfeuchtigkeit laufen.
- Informationen zum Installieren der Einheit finden Sie unter "Installationshandbuch" unter "Installation der Inneneinheit" und "Installation der Außeneinheit".

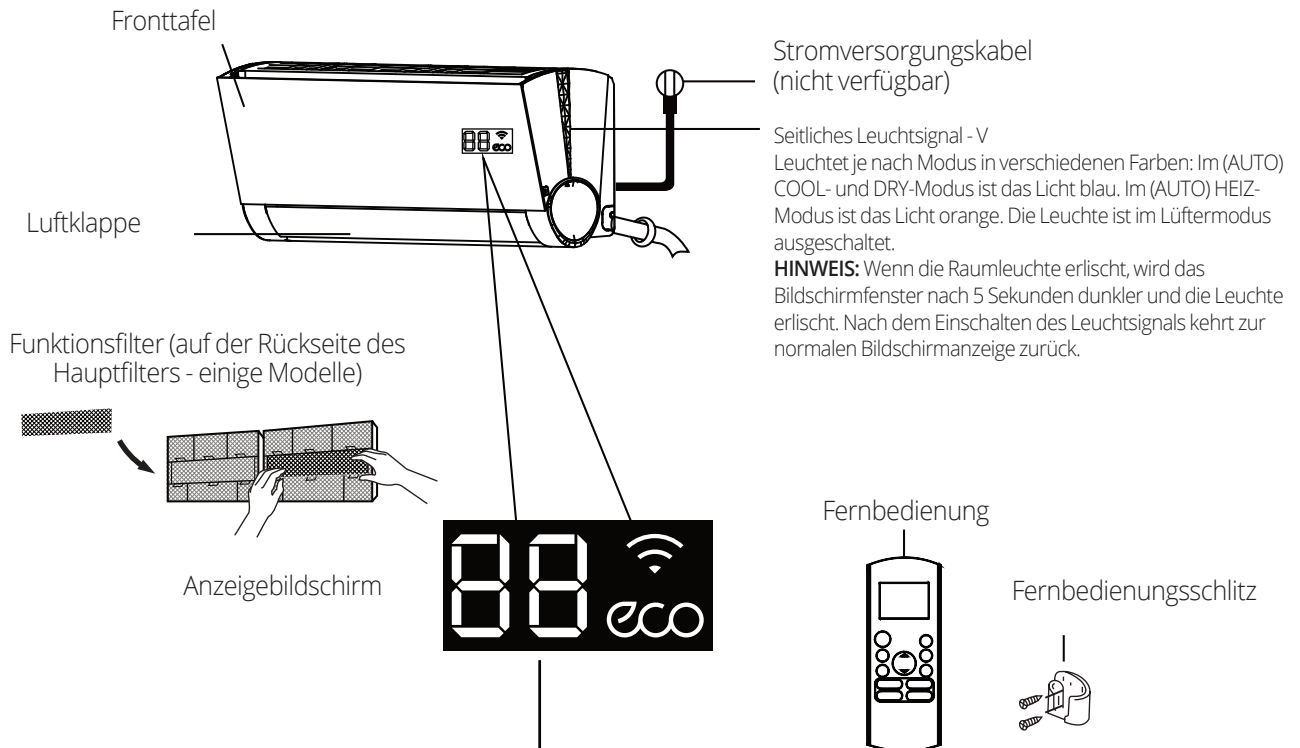
## Hinweis für fluorierte Gase

1. Diese Klimaanlage enthält fluorierte Gase. Spezifische Informationen zu Kühlmitteltyp und Füllmenge finden Sie auf dem entsprechenden Etikett der technischen Daten auf dem Gerät oder auf der Verpackung des Außengeräts im „Benutzerhandbuch“. (Nur für Produkte der Europäischen Union).
2. Installations-, Inspektions-, Wartungs- und Reparaturarbeiten an dieser Anlage müssen durch eine zertifizierte Fachperson durchgeführt werden.
3. Die Deinstallation und das Recycling der Klimaanlage muss durch eine zertifizierte Fachperson durchgeführt werden.
4. Wenn in der Anlage ein Leckage-Erkennungssystem installiert ist, muss dieses mindestens einmal alle 24 Monate kontrolliert werden.
5. Wenn das Gerät auf Lecks geprüft wird, wird empfohlen, den Verlauf mit allen Prüfungen aufzuzeichnen.

# Merkmale und Funktionen des Geräts

# 2

## Bildschirm der Inneneinheit



" **88** " Zeigt die Temperatur, die Funktion und Fehlercodes an:

" **0n** " Für 3 Sekunden wenn:

TIMER ON eingestellt ist  
Der FRESH, SWING, TURBO, SILENCE-Modus ist aktiviert

" **0F** " Für 3 Sekunden wenn:

TIMER OFF eingestellt ist  
Der FRESH, SWING, TURBO, SILENCE-Modus ist deaktiviert.

" **cf** " wenn der intelligente Aufwärmmodus aktiviert ist

" **df** " beim Abtauen (Kühl- und Heizgeräte).

" **SE** " wenn sich das Gerät im Selbstreinigungsmodus befindet

" **FP** " wenn der 80°C-Heizmodus aktiviert ist

" **Wi** " Wenn der drahtlose Modus aktiviert ist (einige Modelle).

" **eco** " Wenn der ECO-Modus aktiviert ist (einige Modelle)

**DISPLAYCODE-  
KONZEPTE**

**HINWEIS:** Unterschiedliche Modelle haben unterschiedliche Fronttafel und Anzeigefenster. Es sind nicht alle nachstehend beschriebenen Anzeigen der von Ihnen gekauften Klimaanlage verfügbar. Überprüfen Sie die Frontanzeige des von Ihnen erworbenen Geräts.

Die Angaben in diesem Handbuch dienen zur Erläuterung. Die tatsächliche Form Ihres Innengeräts kann geringfügig abweichen. Die Form des von Ihnen erworbenen Geräts ist maßgebend.

Es gibt keine Anleitung zur Verwendung der Infrarotfernbedienung in der Produktverpackung. Beachten Sie, dass nicht alle Funktionen für diese Reihe verfügbar sind. Überprüfen Sie das interne Display und die Fernbedienung des von Ihnen erworbenen Geräts.

## Andere Funktionen

### • Automatischer Neustart

Nach dem Stromausfall wird das Gerät automatisch mit den ursprünglichen Einstellungen neu gestartet, sobald die Stromversorgung wieder hergestellt ist.

### • Schimmel vermeiden (nicht verfügbar)

Wenn Sie das Gerät von COOL, AUTO (COOL) oder DRY ausschalten, arbeitet das Klimagerät mit niedriger Geschwindigkeit weiter, um Feuchtigkeit zu entfernen und Entstehung von Schimmel zu vermeiden.

### • WiFi-Steuermodus

Wenn Sie mit Ihrem Gerät eine WLAN-Verbindung herstellen, können Sie die Klimaanlage drahtlos mit Ihrem Mobiltelefon steuern. Um auf das USB-Gerät zuzugreifen, sollten Austausch- und Wartungsarbeiten von qualifiziertem Personal durchgeführt werden

### • Speicherung der Luftklappenposition

Wenn Sie das Gerät einschalten, wird die Position der Luftklappe im Speicher gespeichert und kehrt zu der vom Benutzer zuletzt gewählten Position zurück.

### • Erkennung von Kältemittelaustritt

Wenn ein Kühlmittelaustritt festgestellt wird, zeigt das Innengerät automatisch den EC-Code an.

### • Lichtsensor

Wenn das Raumleuchtsignal ausgeschaltet ist, werden das Bildschirmfenster und der V-förmige Lichtbereich nach 5 Sekunden langsam dunkler und die Lampe erlischt. Nach dem Einschalten des Leuchtsignals kehrt zur normalen Bildschirmanzeige zurück.

**HINWEIS:** Wenn das Raumleuchtsignal leuchtet, bleiben das Bildschirmfenster und der V-förmige Bereich eingeschaltet. Wenn das Raumleuchtsignal dunkel ist, können Sie die LED-Taste auf der Fernbedienung drücken, um die Bildschirmanzeige ein- oder auszuschalten.

### • Smart Air-Verwalter

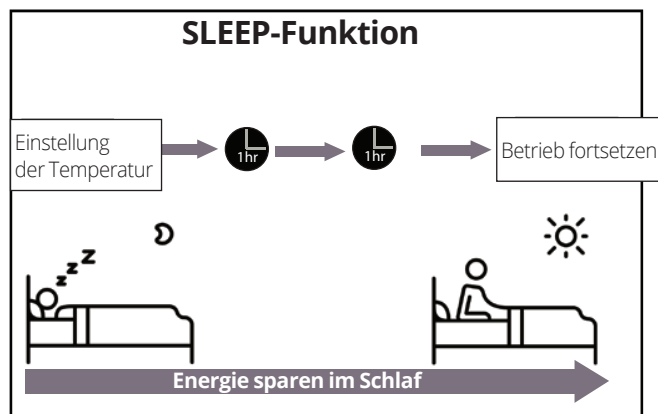
Wenn sich das Gerät im COOL- oder AUTO-Modus befindet, drücken Sie die SWING-Taste auf der Fernbedienung, um den Luftstrom nach Ihrem Bedarf einzustellen.

## • SLEEP-Funktion

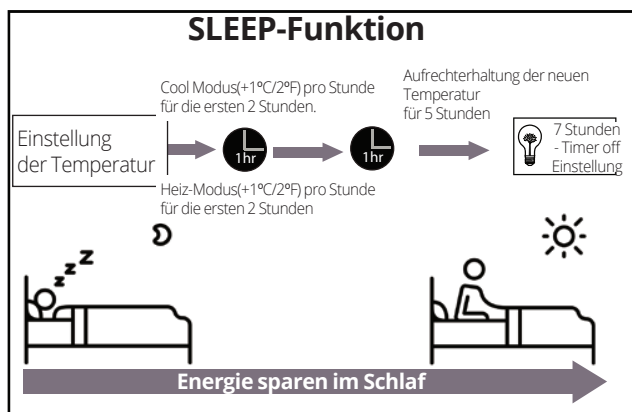
Die SLEEP-Funktion wird verwendet, um den Energieverbrauch im Schlaf zu reduzieren (und benötigt nicht die gleichen Temperatureinstellungen für eine angenehme Umgebung). Diese Funktion kann nur von der Fernbedienung aus aktiviert werden.

Drücken Sie die SLEEP-Taste, wenn Sie Schlafen gehen wollen. Im COOL-Modus erhöht das Gerät die Temperatur nach 1 Stunde von 1° (2°F) nach 1 Stunde und in der nächsten Stunde um weiteren 1° (2°F). Im HEIZ-Modus senkt das Gerät die Temperatur nach 1 Stunde auf 1° (2°F) nach 1 Stunde und um weiteren 1° (2°F) nach 1 Stunde.

Bei einigen Modellen stoppt die "Sleep"-Funktion nach 8 Stunden und das System arbeitet mit der letzten Einstellung weiter.



Bei einigen Modellen schaltet sich das Gerät nach 7 Stunden aus.



## Normale Betriebstemperatur

Wenn Ihr Klimagerät außerhalb der empfohlenen Temperaturbereiche verwendet wird, werden einige Sicherheitsfunktionen aktiviert und führen zur Deaktivierung des Geräts.

## Inverter-Split-Typ

	KÜHLUNG	HEIZUNG	ENTFEUCHTUNG
Temperatur im Raum	17°C - 32°C (63°F - 90°F)	0°C - 30°C (32°F - 86°F)	10°C - 32°C (50°F - 90°F)
Außen Temperatur	0°C - 50°C (32°F - 122°F)	-15°C - 24°C (5°F - 75°F)	0°C - 50°C (32°F - 122°F)
	-15°C - 50°C (5°F - 122°F) (Für Modelle mit einem Niedertemperatursystem)		
	0°C - 52°C (32°F - 126°F) Für Sondermodelle		0°C - 52°C (32°F - 126°F) Für Sondermodelle

### FÜR EINHEITEN MIT ZUSÄTZLICHEN HEIZKÖRPERN

Wenn die Außentemperatur unter 0°C liegt, empfehlen wir Ihnen, die Klimaanlage an die Steckdose angeschlossen zu lassen, um ihre Leistung sicherzustellen.

## Dauergeschwindigkeitstyp

	KÜHLUNG	HEIZUNG	ENTFEUCHTUNG
Temperatur im Raum	17°C-32°C (63°F-90°F)	0°C-30°C (32°F-86°F)	10°C-32°C (50°F-90°F)
Außen Temperatur	18°C-43°C (64°F-109°F)	-7°C-24°C (19°F-75°F)	11°C-43°C (52°F-109°F)
	-7°C-43°C (19°F-109°F)		18°C-43°C (64°F-109°F)
	18°C-52°C (64°F-126°F) (Für Modelle mit Niedertemperatursystem)		18°C-52°C (64°F-126°F)

**HINWEIS:** Relative Raumfeuchtigkeit von weniger als 80%.

Wenn die Klimaanlage über diesem Grenzwert arbeitet, kann sich auf der Oberfläche der Klimaanlage Wasserkondensation bilden. Stellen Sie die vertikale Luftklappe auf ihren maximalen Winkel (senkrecht zum Boden) und stellen Sie den HIGH-Ventilatormodus ein, um dies zu regeln.

### Für eine noch bessere Leistung des Geräts bitte folgendes beachten:

- Halten Sie die Türen und Fenster geschlossen.
- Reduzierter Stromverbrauch durch die Betriebsarten TIMER ON und TIMER OFF.
- Blockieren Sie nicht die Luftein- und -auslässe.
- Überprüfen Sie die Filter und reinigen Sie sie häufig.



## • Einstellen des Luftverteilungswinkels

### Einstellen des horizontalen Luftverteilungswinkels

Die horizontale Luftverteilung muss manuell eingestellt werden. Bewegen Sie den Ablenkhebel (siehe Abb. B) und stellen Sie es manuell in die gewünschte Richtung ein. Bei einigen Geräten kann der horizontale Verteilungswinkel per Fernbedienung eingestellt werden. Weitere Informationen finden Sie im Benutzerhandbuch der Fernbedienung.

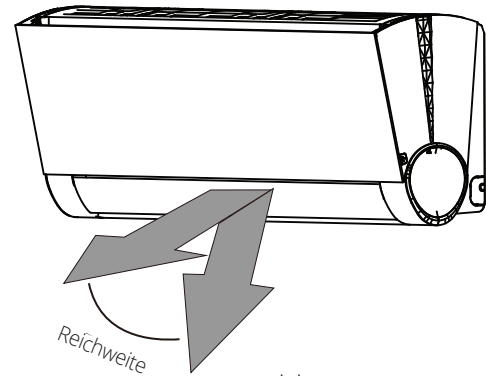


Abb. A

**Hinweis:** Bewegen Sie die Luftklappe nicht manuell. Dies kann dazu führen, dass die Synchronisation der Luftklappe verhindert wird. Schalten Sie in diesem Fall das Gerät aus und trennen Sie es einige Sekunden vom Netz, und starten Sie es erneut. Dies wird die Luftklappe zurückstellen.

### ! VORSICHT

Halten Sie Ihre Finger nicht in die Nähe des Luftauslasses. Hohe Luftgeschwindigkeit im Gerät kann zu Verletzungen führen.

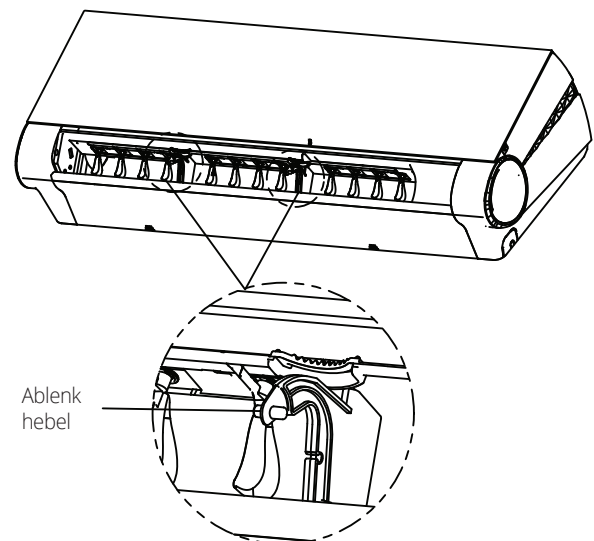


Abb. B

# Manueller Betrieb (Ohne Fernbedienung)

# 3

## Wie Sie das Gerät ohne Fernbedienung bedienen können

Wenn Ihre Fernbedienung nicht funktioniert, kann das Gerät manuell mit der Taste **MANUAL CONTROL** am Innengerät bedient werden. Beachten Sie, dass der manuelle Modus keine langfristige Lösung ist. Es wird empfohlen, das Gerät mit der Fernbedienung zu bedienen.

## VOR DER MANUELLEN BEDIENUNG

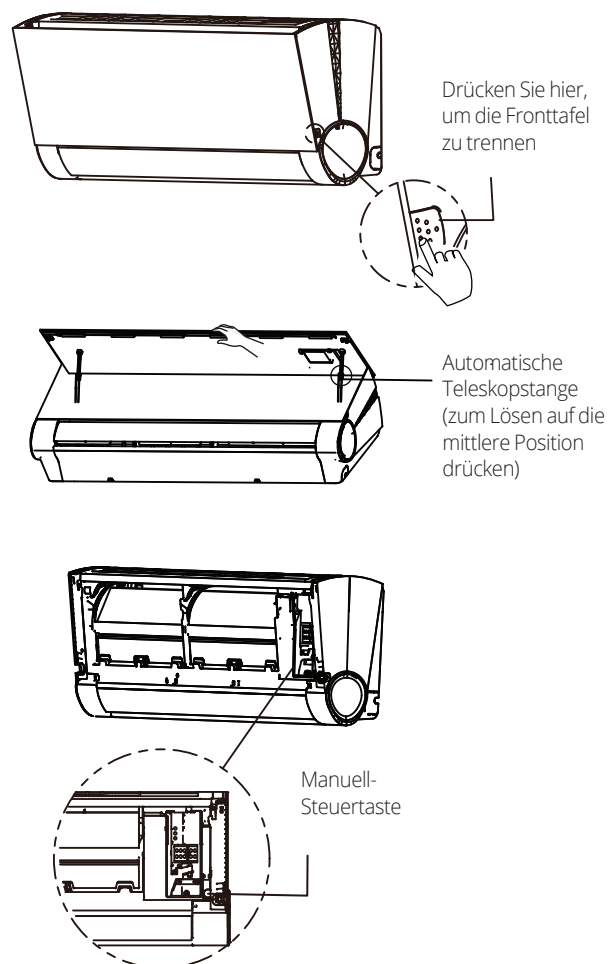
Das Gerät muss vor dem manuellen Bedienung ausgeschaltet sein.

Um Ihre Klimaanlage manuell zu bedienen:

1. Drücken Sie die Taste an beiden Seiten des Innengeräts, um die Tafel zu lösen. Heben Sie dann die Fronttafel an und stützen Sie sie mit der automatischen Teleskopstange ab.
2. Drücken Sie die Taste **MANUAL CONTROL** mit Ihrem Finger oder einer Stiftspitze.
3. Drücken Sie einmal auf **MANUAL CONTROL**, um die Funktion **FORCED AUTO** zu aktivieren.
4. Drücken Sie erneut die Taste **MANUAL CONTROL**, um die Funktion **COOLING FORCED** zu aktivieren.
5. Drücken Sie ein 3<sup>tes</sup> mal die Taste **MANUAL CONTROL**, um die Klimaanlage auszuschalten.
6. Halten Sie die Tafel mit der Hand und drücken Sie die mittlere Position der automatischen Teleskopstange, um die Fronttafel zu schließen.

## ! VORSICHT

Die manual-Taste dient nur zur Steuerung und zum Notbetrieb. Bitte benutzen Sie diese Funktion nur, wenn Sie die Fernbedienung verloren haben und dies unbedingt erforderlich ist. Um die normalen Funktionen wiederherzustellen, schalten Sie das Gerät mit der Fernbedienung ein.



# Reinigung und Wartung

# 4

## Reinigung der Inneneinheit

### ! VOR DER REINIGUNG ODER WARTUNG

**DIE KLIMAAANLAGE ABSCHALTEN UND DAS GERÄT VOM NETZ VOR DER REINIGUNG UND WARTUNG TRENNEN.**

### ! VORSICHT

Wenn das Innengerät zu schmutzig ist, können Sie es mit einem feuchten Tuch reinigen und anschließend mit einem trockenen Tuch abwischen.

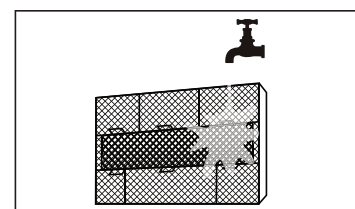
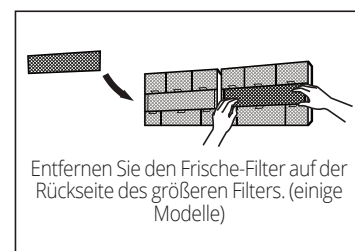
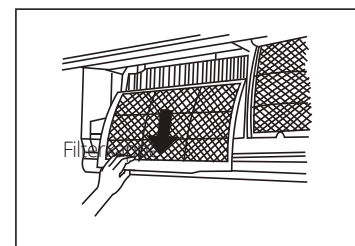
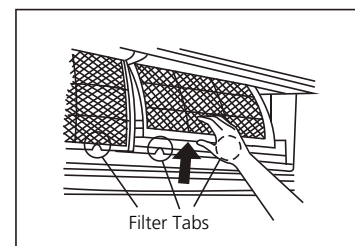
- **Keine** Chemikalien oder abgehandeltes Staubtuch zum Reinigen verwenden.
- **Kein** Benzin, Lösungsmittel, Polituren oder ähnliche Lösungsmittel zum Reinigen verwenden. Sie können Verformungen oder Risse auf den Kunststoffoberflächen des Geräts verursachen.
- Verwenden Sie **nicht** zur Reinigung der Fronttafel Wasser wärmer als 40°C (104°F). Es könnte Verformung oder Verfärbung dadurch auftreten.

## Luftfilterreinigung

Eine verstopfte Klimaanlage kann die Leistung des Geräts beeinträchtigen und Ihre Gesundheit schädigen. Bitte reinigen Sie die Filter alle 15 Tage.

1. Heben Sie die Fronttafel des Innengeräts.
2. Drücken Sie zuerst die Lasche am Ende des Filters, um ihn zu lösen, heben Sie ihn und ziehen Sie ihn dann heraus.
3. Entfernen Sie den Filter.
4. Wenn Ihr Filter über einen kleinen Filter zur Auffrischung der Luft verfügt, trennen Sie ihn vom größeren Filter. Reinigen Sie diesen Filter.
5. Reinigen Sie den großen Luftfilter mit warmem Seifenwasser. Stellen Sie sicher, dass Sie ein mildes Reinigungsmittel verwenden.
6. Reinigen Sie den Filter mit frischem Wasser und schütteln Sie ihn, um das Wasser abzulassen.

7. In einem kalten, feuchten Raum austrocknen lassen und der seine Sonnenexposition vermeiden.
8. Wenn es trocken ist, setzen Sie den Luftauffrischungsfiler des größeren Filters wieder ein und dann setzen Sie ihn in das Innengerät wieder ein.
9. Schließen Sie die Tafel des Innengeräts.



### ! VORSICHT

Den Klimaanlagefilter (Plasma) mindestens 10 Minuten nach dem Ausschalten des Geräts nicht berühren.

## ! VORSICHT

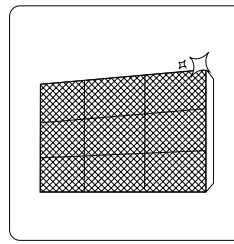
- Schalten Sie das Gerät aus und trennen Sie es von der Stromversorgung, bevor Sie die Filter wechseln oder reinigen.
- Beim Bewegen der Filter, die Metallteile des Geräts nicht berühren. Es besteht Verletzungsgefahr.
- Verwenden Sie kein Wasser zum Reinigen des Innenbereichs des Innengeräts. Dies kann die Isolierung beschädigen und einen elektrischen Schlag verursachen.
- Den Filter keiner direkten Sonnenstrahlung aussetzen. Es kann schrumpfen.

## ! VORSICHT

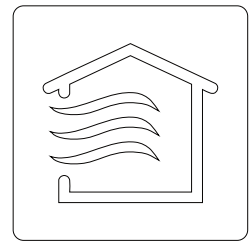
- Jegliche Wartung oder Reinigung des externen Geräts muss von einem autorisierten Lieferanten oder einem qualifizierten Servicecenter durchgeführt werden.
- Jede Reparatur einer Klimaanlage muss von einem autorisierten Lieferanten oder einem qualifizierten Servicecenter ausgeführt werden.

## Wartung - Große Stillstandszeiten

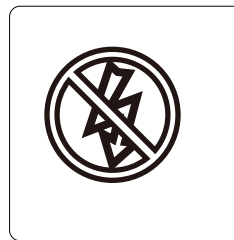
Wenn Sie vorhaben, die Klimaanlage längere Zeit nicht zu verwenden, beachten Sie folgendes:



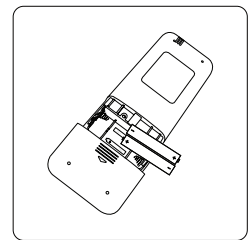
Reinigen Sie alle Filter



Schalten Sie die FAN-Funktion ein, bis das Gerät vollständig getrocknet ist



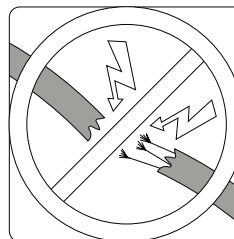
Schalten Sie das Gerät aus und trennen Sie es von der Stromversorgung



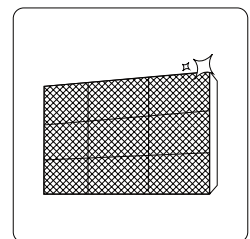
Nehmen Sie die Batterien aus der Fernbedienung heraus

## Wartung - Vor Beginn der Nutzungsperiode

Nach längerer Nichtbenutzung oder fortgesetzter Verwendung des Geräts folgendes durchführen:



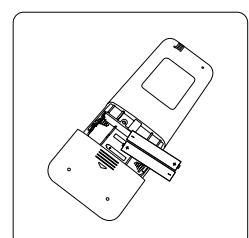
Überprüfen Sie, ob Kabel beschädigt sind



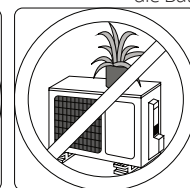
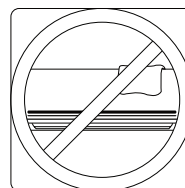
Reinigen Sie alle Filter



Überprüfung auf Lecks



Ersetzen Sie die Batterien



Stellen Sie sicher, dass nichts alle Lufteinlässe und -auslässe verhindert

## ! SICHERHEITSHINWEISE

Wenn eine der folgenden Bedingungen eintritt, schalten Sie Ihre Klimaanlage sofort aus!

- Das Netzkabel ist beschädigt oder ungewöhnlich heiß
- Sie riechen einen seltsamen Geruch
- Das Gerät macht Lärm oder ungewöhnlichen Geräusche
- Die Sicherung ist oft verbrannt oder der Sicherungsschalter fällt ab
- Wasser oder andere Gegenstände sind in das Gerät gefallen

**VERSUCHEN SIE NICHT, ES SELBST ZU REPARIEREN! WENDEN SIE SICH SOFORT AN EIN AUTORISIERTES SERVICECENTER!**

## Häufige Probleme

Die folgenden Probleme sind keine Fehlfunktionen und müssen in den meisten Fällen nicht repariert werden.

Problem	Mögliche Ursache
<b>Das Gerät lässt sich nicht einschalten, wenn Sie die ON / OFF-Taste drücken</b>	Das Gerät verfügt über eine 3-Minuten-Schutzfunktion, um die Klimaanlage vor Überlastung zu schützen. Das Gerät kann nicht innerhalb dieser 3 Minuten nach der Deaktivierung neu gestartet werden.
<b>Das Gerät wechselt vom KÜHL-/HEIZ-Modus auf FAN-Modus</b>	Das Gerät ändert die Einstellungen, um das Entstehen von Eis zu vermeiden. Sobald die Temperatur einmal erhöht wird, arbeitet das Gerät wieder mit den vorherigen Einstellungen.
	Die gewünschte Temperatur wurde erreicht und an diesem Punkt ist der Verdichter deaktiviert. Das Gerät wird wieder aktiviert, wenn die Temperatur wieder schwankt.
<b>Das Innengerät entlädt einen Nebel</b>	An Orten mit Feuchtigkeit kann ein großer Temperaturunterschied zwischen der Raumluft und der Klimaanlage einen Nebel verursachen.
<b>Das Innengerät und das Außengerät entladen einen Nebel</b>	Wenn das Gerät im HEIZ-Modus neu gestartet wird kann nach dem Abtauen ein weißer Nebel durch die beim Abtauen entstehende Feuchtigkeit entladen werden.

<b>Problem</b>	<b>Mögliche Ursache</b>
<b>Das Innen- gerät macht Lärm</b>	Luftgeräusch kann verursacht werden, wenn die Luftklappe ihre Position zurücksetzt.
	Wenn sich das Gerät im HEIZ-Modus befindet, kann es zu starken Geräuschen kommen, wenn sich die Kunststoffteile des Geräts ausdehnen und zusammenziehen.
<b>Das Innen-und Außengerät machen Lärm</b>	Geräuscharmes Pfeifen während des Betriebs: Dies ist normal und wird durch das in den Innen- und Außengeräten strömende Kühlmittel verursacht.
	Geräuscharmes Pfeifen während des Betriebs: Dies ist normal und wird durch das in den Innen- und Außengeräten strömende Kühlmittel verursacht.
	Intensives Geräusch: Physikalische Ausdehnung und Kontraktion von Kunststoff und Metall verursacht durch Temperaturänderungen während des Betriebs.
<b>Das Außengerät macht Lärm</b>	Das Gerät kann je nach aktuellem Betriebsmodus verschiedene Töne erzeugen.
<b>Staub wird aus dem Innen- oder Außengerät ausgestoßen</b>	Wenn das Gerät längere Zeit nicht benutzt wird, kann sich Staub ansammeln, der beim Starten ausgestoßen werden kann. Dies kann durch Abdecken des Geräts während Nichtbetriebszeiten eingeschränkt werden.
<b>Das Gerät stößt einen schlechten Geruch aus</b>	Das Gerät kann Umgebungsgerüche absorbieren (z. B. Möbel, Kochen, Zigaretten usw.), die während des Betriebs ausgelassen werden.
	Die Gerätefilter sind schimmelig und müssen gereinigt werden.
<b>Der Lüfter der Außeneinheit funktioniert nicht</b>	Während des Betriebs wird die Lüftergeschwindigkeit auf optimale Leistung geprüft.
<b>Der Betrieb ist unregelmäßig, unvorhersehbar oder das Gerät reagiert nicht</b>	Störungen durch die Antenne des mobilen Geräts und die Verstärker können zu Fehlfunktionen führen. In diesem Fall versuchen Sie Folgendes: <ul style="list-style-type: none"> <li>• Stecker abziehen, wieder einstecken.</li> <li>• Drücken Sie die ON / OFF-Taste, um den Betrieb erneut zu starten.</li> </ul>

**HINWEIS:** Wenn das Problem weiterhin besteht, wenden Sie sich an Ihren örtlichen Lieferant oder das nächstgelegene Servicecenter. Erklären Sie detailliert die Funktionsstörung des Geräts sowie seine Modellnummer.

## FEHLER

Wenn ein Fehler auftritt, überprüfen Sie bitte die folgenden Punkte, bevor Sie sich an das Reparaturunternehmen wenden.

Problem	Mögliche Ursache	Lösung
<b>Reduzierte Kühlleistung</b>	Die Temperatureinstellung ist möglicherweise höher als die Temperatur der Umgebung	Niedrigere Temperatureinstellung
	Der Wärmetauscher im Innen- oder Außengerät ist verschmutzt.	Reinigen Sie den verschmutzten Wärmetauscher
	Der Luftfilter ist verschmutzt	Filter entfernen und reinigen den Anweisungen nach
	Der Lufteinlass oder -auslass jeder Einheit ist gesperrt	Schalten Sie das Gerät aus, Hindernisse entfernen und erneut aktivieren
	Die Fenster und Türen sind offen	Stellen Sie sicher, dass alle Türen und Fenster während des Betriebs des Geräts geschlossen sind
	Übermäßige Hitze wird durch Sonnenstrahlung erzeugt	Schließen Sie Fenster und Vorhänge bei erhöhter Hitze oder Sonnenschein
	Übermäßige Heizquellen im Raum (Personen, Computer, elektronische Geräte usw.)	Reduzieren Sie die Mengen der Heizquellen
	Reduziertes Kältemittel aufgrund von Leckagen oder längerer Verwendung	Überprüfung auf Lecks, ggf. erneut verriegeln und mit Flüssigkeit auffüllen
	SILENCE-Funktion ist aktiviert	Die SILENCE-Funktion kann die Leistung reduzieren, indem die Betriebsgeschwindigkeit reduziert wird. Deaktivieren Sie die SILENCE-Funktion.

<b>Problem</b>	<b>Mögliche Ursache</b>	<b>Lösung</b>
<b>Das Gerät arbeitet nicht</b>	Stromausfall	Warten bis die Stromversorgung wieder hergestellt ist
	Von der Stromversorgung abtrennen	An der Stromversorgung wieder anschließen
	Verbrannte Sicherung	Sicherung ersetzen
	Die Batterien sind verbraucht	Ersetzen Sie die Batterien
	Der 3-Minuten-Schutz des Geräts ist aktiviert	Warten Sie 3 Minuten, nachdem Sie das Gerät neu gestartet haben
	Der Timer wurde aktiviert	Der Timer wurde deaktiviert
<b>Das Gerät startet und stoppt häufig</b>	Es ist viel oder wenig Kältemittel im System	Überprüfung auf Lecks und das System erneut mit Kältemittel auffüllen.
	Nicht verdichtetes Gas oder Feuchtigkeit ist in das System eingedrungen.	Das System leeren und erneut mit Kältemittel auffüllen.
	Der Verdichter ist beschädigt	Den Verdichter ersetzen
	Die Spannung ist zu hoch oder zu niedrig	Installieren Sie ein Manometer, um die Spannung einzustellen
<b>Reduzierte Heizleistung</b>	Die Außentemperatur ist niedriger als 7°C (44.5°F)	Verwenden Sie zusätzliche Heizkörper
	Kalte Luft dringt durch Türen und Fenster ein	Stellen Sie sicher, dass alle Türen und Fenster während des Betriebs geschlossen sind
	Reduziertes Kältemittel aufgrund von Leckagen oder längerer Verwendung	Überprüfung auf Lecks, ggf. verriegeln und erneut mit Kältemittel auffüllen.
<b>Die Anzeigeleuchten blinken weiter</b>	<p>Das Gerät kann möglicherweise den Betrieb einstellen oder in Sicherheitsmodus versetzt werden. Warten Sie 10 Minuten, wenn die Fehlercodes weiterhin blinken oder angezeigt werden, ob das Gerät von selbst zurückgesetzt wird. Falls nicht, trennen Sie es von der Stromversorgung und erneuten anschließen. Schalten Sie das Gerät ein. Falls das Problem weiterhin besteht, trennen Sie das Gerät vom Netz und wenden Sie sich an das nächstgelegene Servicecenter.</p>	
<p><b>Wenn einer der folgenden Codes auf dem Bildschirm angezeigt wird:</b></p> <ul style="list-style-type: none"> <li>- E0, E1, E2...</li> <li>- P1, P2, P3...</li> <li>- F1, F2, F3...</li> </ul>		

**HINWEIS:** Bleibt der Fehler trotz der Überprüfungen und Diagnosen bestehen, schalten Sie das Gerät sofort aus und wenden Sie sich an einen autorisierten Servicecenter.



# Europäische Entsorgungsspezifikationen

6

Dieses Gerät enthält Kältemittel und andere potenziell gefährliche Stoffe. Wenn das Gerät entsorgt wird, erfordert das Gesetz eine besondere Abfuhr und Behandlung. Entsorgen Sie das Produkt nicht mit dem Hausmüll oder nicht getrenntem Hausmüll.

Bei der Entsorgung des Geräts, gibt es folgende Möglichkeiten:

- Entsorgen Sie das Gerät bei geeigneten Entsorgungseinheiten für elektronische Geräte.
- Wenn Sie ein neues Gerät kaufen, nimmt der Händler das alte Gerät kostenlos zurück.
- Der Hersteller nimmt das alte Gerät kostenlos zurück.
- Verkaufen Sie das Gerät an einen zertifizierten Altmetallhändler.

## Besondere Anmerkung

Die Entsorgung dieses Geräts in einem Wald oder in einer anderen natürlichen Umgebung gefährdet Ihre Gesundheit und schädigt die Umwelt. Gefahrstoffe können in das Grundwasser versickern und in die Nahrungskette gelangen.









# AIR CONDITIONING SYSTEMS

## WALL MOUNTED UNIT



Please check the applicable models, F-GAS and manufacturer information from the "Owner's Manual - Product Fiche" in the packaging of the outdoor unit. (European Union products only).

